



# *Active Super Woofer*

---

Operating Instructions \_\_\_\_\_ **EN**

Mode d'emploi \_\_\_\_\_ **F**

CCC \_\_\_\_\_ **C**

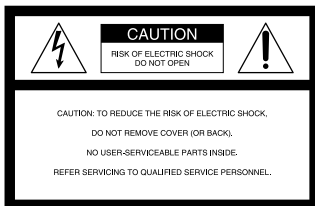
*SA-W70ES/SA-W705/SA-W505*

## WARNING

To prevent fire or shock hazard, do not expose the unit to rain or moisture.

Do not install the appliance in a confined space, such as a bookcase or built-in cabinet.

For the customers in the U.S.A.



This symbol is intended to alert the user to the presence of uninsulated “dangerous voltage” within the product’s enclosure that may be of sufficient magnitude to constitute a risk of electric shock to persons.



This symbol is intended to alert the user to the presence of important operating and maintenance (servicing) instructions in the literature accompanying the appliance.

### Owner’s Record

The model number and serial numbers are located at the rear. Record these numbers in the spaces provided below. Refer to these numbers whenever you call upon your Sony dealer regarding this product.

Model No. SA-W70ES/SA-W705/  
SA-W505  
Serial No. \_\_\_\_\_

### CAUTION

You are cautioned that any changes or modifications not expressly approved in this manual could void your authority to operate this equipment.

### CAUTION

Use of this appliance with some systems may present a shock or fire hazard. Do not use with any units which have the following marking located near output. WARNING: HAZARDOUS ENERGY!

### Note to CATV system installer:

This reminder is provided to call CATV system installer’s attention to Article 820-40 of the NEC that provides guidelines for proper grounding and, in particular, specifies that the cable ground shall be connected to the grounding system of the building, as close to the point of cable entry as practical.

For detailed safety precautions, see the leaflet “IMPORTANT SAFEGUARDS” included with this manual in the vinyl bag.

## For the customers in Canada

### CAUTION

TO PREVENT ELECTRIC SHOCK, DO NOT USE THIS POLARIZED AC PLUG WITH AN EXTENSION CORD, RECEPTACLE OR OTHER OUTLET UNLESS THE BLADES CAN BE FULLY INSERTED TO PREVENT BLAD EXPOSURE.

## NOTICE FOR THE CUSTOMERS IN THE UNITED KINGDOM

A moulded plug complying with BS 1363 is fitted to this equipment for your safety and convenience.

Should the fuse in the plug supplied need to be replaced a 5 AMP fuse approved by ASTA or BSI to BS 1362, (i.e. marked with ⚡ or ⚡ mark) must be used.

If the plug supplied with this equipment has a detachable fuse cover, be sure to attach the fuse cover after you change the fuse. Never use the plug without the fuse cover. If you should lose the fuse cover, please contact your nearest Sony service station.

### IMPORTANT

If the plug supplied is not suitable for the socket outlets in your home, it should be cut off and an appropriate plug fitted in accordance with the following instructions.

The wires in this mains lead are coloured in accordance with the following code:

Blue: Neutral

Brown: Live

As the colours of the wires in the mains lead of this apparatus may not correspond with the coloured markings identifying the terminals in your plug, proceed as follows: The wire which is coloured blue must be connected to the terminal which is marked with the letter N or coloured black. The wire which is coloured brown must be connected to the terminal which is marked with the letter L or coloured red. Do not connect either wire to the earth terminal in the plug which is marked by the letter E or by the safety earth symbol ⚡ or coloured green or green-and-yellow.

### WARNING

To prevent shock hazard, do not insert the plug cut off from the mains lead into a socket outlet. This plug cannot be used and should be destroyed.

---

## Welcome!

Thank you for purchasing the Sony Active Super Woofer. Before operating this woofer, please read this manual thoroughly and retain it for future reference.

# TABLE OF CONTENTS

---

## Getting Started

- Unpacking 4
  - Installation 4
  - Hooking Up the System 5
- 

## Basic Operations

- Listening to the Sound 8
  - Adjusting the Sound 9
- 

## Additional Information

- Precautions 10
- Troubleshooting 10
- Specifications 11

### Unpacking

Check that you received the following items:

- Audio connecting cord (1)
- Speaker cord (2)

### Installation

Since the human ear cannot detect the direction and position where the bass sound being reproduced by a woofer (below 150 Hz) comes from, you can install the woofer wherever you like in your room. To obtain a better bass reproduction, we recommend you to install the woofer on a solid floor where the resonance is unlikely to occur.

You can obtain a sufficient heavy bass reproduction from a single woofer. However if you use a couple of the woofers, you can obtain an even more effective heavy bass reproduction.

When connecting the optional speaker SS-T505

You can attach the speaker to this woofer by using the dedicated speaker stand WS-W505.

#### Notes

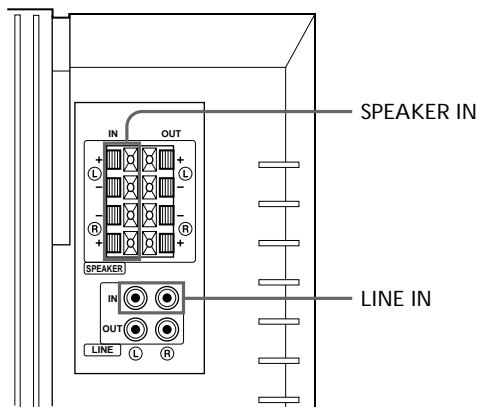
- Always install the woofer vertically, keeping a few centimeters from away the wall.
- Do not place an object on the woofer or sit on it.
- If the woofer is installed in the center of a room, the bass could be extremely weakened. This is due to the influence of the standing wave of the room. If this happened, move the woofer away from the center of a room or eliminate the cause of the standing wave, by installing a bookshelf on the wall, etc.

## Hooking Up the System

### Overview

Use the LINE IN jacks or the SPEAKER IN terminals of the woofer when you connect the amplifier.

- If your amplifier has one of the following types of output jacks, connect the (L) (left channel) of the LINE IN jack and the amplifier's jack using the supplied audio connecting cord.
  - MONO OUT jack
  - MIX OUT jack
  - SUB WOOFER output jack(s)
  - SUPER WOOFER output jack(s)
- If your amplifier does not have the above mentioned output jacks, connect the speaker terminals of the amplifier to the SPEAKER IN terminals instead.



### Before you get started

- Turn off the power of the amplifier and the woofer before making any connection.
- Use the audio connecting cords that are supplied to the respective equipment. If there are not enough audio connecting cords to make the necessary connections, you need to purchase some optional audio connecting cords.
- Be sure to make connections firmly to avoid noise.
- Connect the AC power cord from the woofer to a wall outlet.
- You cannot connect the CENTER output jack for use with Dolby Pro Logic function to the woofer. Bass sound is not output with some Dolby Pro Logic modes.

(continued)

## Connecting to an amplifier with a single set of speaker terminals

If your amplifier is equipped with a single set of speaker terminals, connect the woofer to the amplifier, and then connect the front speakers to the woofer.

What cords will I need?

Speaker cord (supplied) (1 for each speaker)



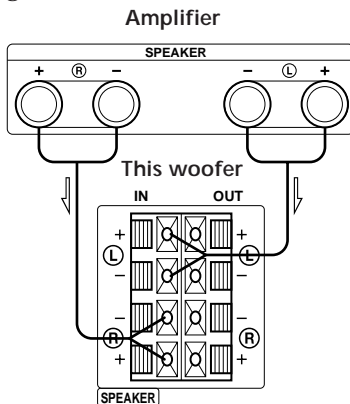
Twist the stripped ends of the cord about  $\frac{2}{3}$  inch (15 mm). Be sure to match the speaker cord to the appropriate terminal on the components: + to + and - to -. If the cords are reversed, the sound will be distorted and will lack bass. It is useful to decide that the speaker cord marked with a line is always the positive (+) and should be connected to the positive (+) terminal to avoid any improper connections.

### Hookups

- 1 Connect the woofer to the amplifier.

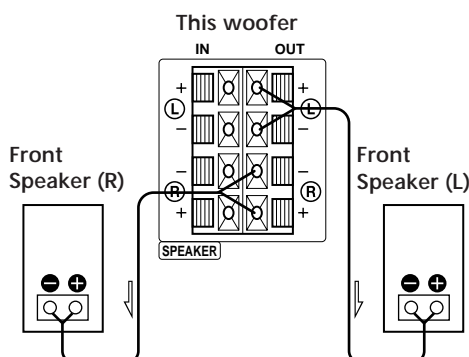
Connect the SPEAKER IN terminals of the woofer to the amplifier's speaker terminals with the speaker cords. Be sure to connect both L and R channels.

⤴: signal flow



- 2 Connect the front speakers to the woofer.

Connect the speakers to the speaker terminals of the woofer.



## Connecting to an amplifier with double(A+B) sets of speaker terminals

If your amplifier has double(A+B) sets of speaker terminals, connect both the woofer and the front speakers to the amplifier.

What cords will I need?

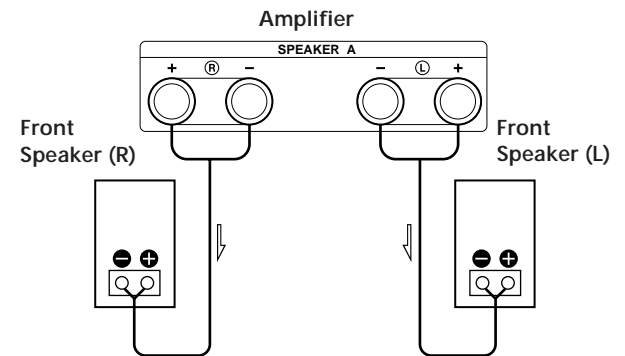
Speaker cord (supplied) (1 for each speaker)



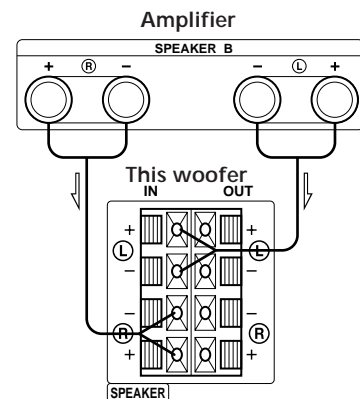
Twist the stripped ends of the cord about  $\frac{2}{3}$  inch (15 mm).

### Hookups

- 1 Connect the front speakers to the amplifier. Connect the speakers to your amplifier's speaker terminals (A).



- 2 Connect the woofer to the amplifier. Connect the SPEAKER IN terminals of the woofer to the amplifier's speaker terminals (B) using speaker cords (supplied).



When using the double (A +B) sets of speakers, make sure that you select the "A +B" position with your amplifier.

### Note

When you are using speaker terminal (A) only (front speaker only) or when the power of the amplifier is turned off, turn down the volume or turn off the power of the woofer otherwise, hum noise may be heard.

### Connecting to an amplifier with a special jack for a super woofer

If your amplifier has a special jack for a super woofer (like a MONO OUT jack, MIX OUT jack, SUB WOOFER jack or SUPER WOOFER jack), connect the LINE IN jack of the woofer to one of those jacks.

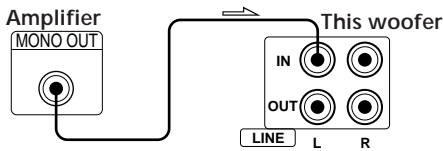
What cords will I need?

Audio connecting cord (supplied) (1)

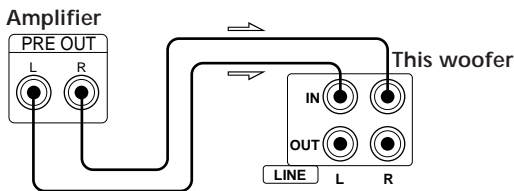


#### Hookups

Connect the MONO OUT jack of your amplifier to the left LINE IN jack (L) of the woofer with the supplied audio connecting cord.



Connect the PRE OUT jacks (L/R) of your amplifier to the LINE IN jacks (L/R) of the woofer with the supplied audio connecting cord.

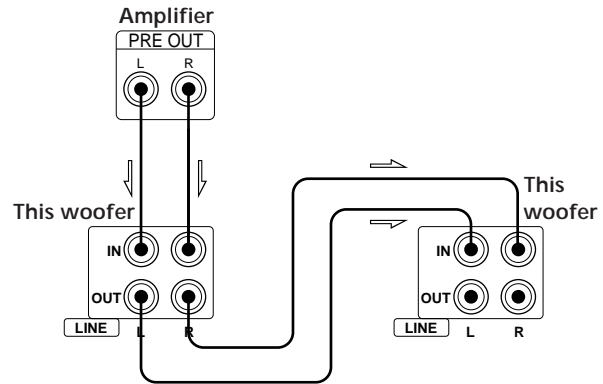


#### Note

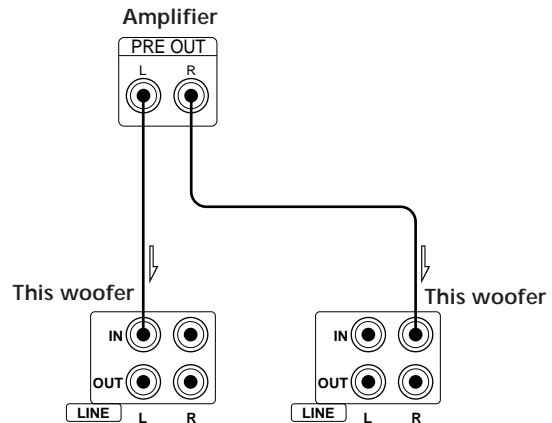
If the output level of your amplifier is not large enough, the sound may not be loud enough. In this case, connect the speaker terminals of the amplifier directly to the SPEAKER IN terminals of the woofer.

### When using this woofer for both left (L) and right (R) channels

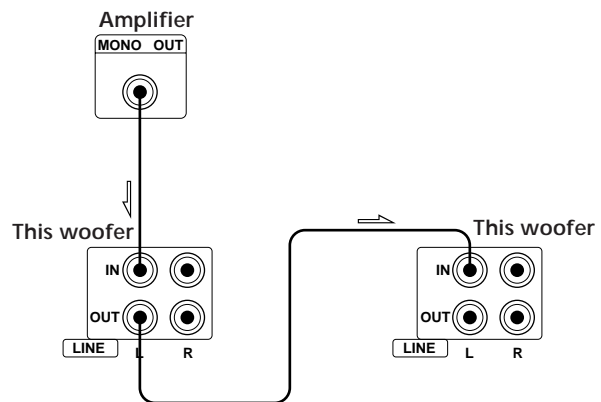
If your amplifier has PRE OUT jacks, connect them to the woofer as shown in the following illustrations.



OR



If your amplifier has a MONO OUT jack, connect it to the left LINE IN jack (L) of the woofer.



#### Note

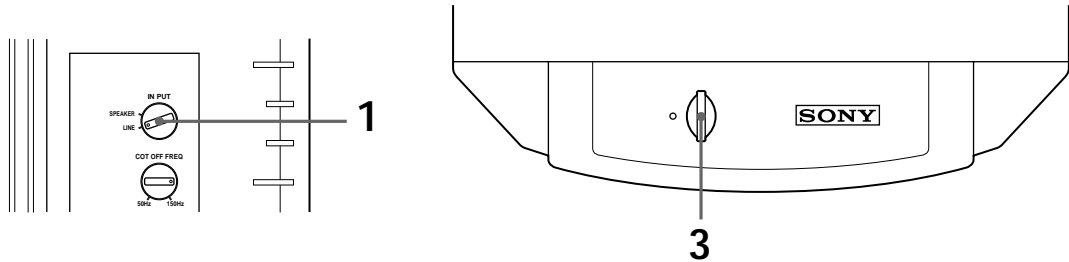
Connect the MONO OUT jack, SUB WOOFER output jack, SUPER WOOFER output jack of the amplifier to the left input jack of the woofer. When connecting them to the right input jack of the woofer the sound will not come out.

### Connecting the AC power cord

Connect the AC power cord from the woofer and from your amplifier to a wall outlet.



# Listening to the Sound



## Note

Never set the amplifier's tone control (BASS, TREBLE, etc.) or the equalizer output to a high level or input sinewaves of 20 Hz to 50 Hz recorded on a commercially-available test disc or special sound (bass sound of electronic musical instrument, pop noise of analog disc turntable, sound with abnormally enhanced bass, etc.) in a high level to this unit. These actions may cause damage to the speakers.

When a special disc containing abnormally enhanced bass is played, noise may be output in addition to the original sound. In such a case, decrease the sound level.

## Note

The sub woofer output signal (DOLBY digital (AC-3) signal) of the digital surround processor sold singularly is set 10 dB higher by Dolby laboratories Licensing Corporation. In the case of using normally, adjust the sub woofer level.

- 1** Select SPEAKER or LINE with IN PUT selector.
- 2** Turn on the amplifier and select the program source.
- 3** Press POWER.  
The woofer turns on and the POWER indicator lights up in green.
- 4** Play the program source.  
Adjust the VOLUME so that sound from front speakers is not distorted.  
If it is distorted, the sound from the woofer will also be distorted.

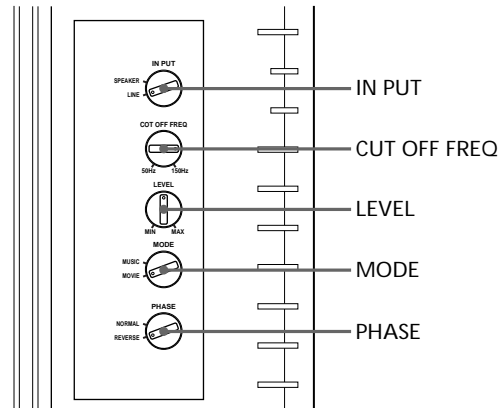
## To turn off the power

Press POWER to release the switch.

If you hear noise when you turn off the woofer, turn down the LEVEL of the woofer, or turn off the amplifier before turning off the woofer.

# Adjusting the Sound

You can adjust the sound of the woofer to suit the sound of your front speakers. Reinforcing the bass sound gives you a greater sense of atmosphere.



## Note

If the sound distorts when you turn on the bass reinforcement from your amplifier (such as, DBFB, GROOVE, the graphic equalizer, etc.), turn off the bass reinforcement and adjust the sound.

## Note

Selecting NORMAL or REVERSE with the PHASE selector reverses the polarity and may provide better bass reproduction in certain listening environments (depending on the type of front speakers, the position of the woofer and the adjustment of the cut-off frequency). It may also change the expanse and tightness of sound, and effect the feeling of the sound field. Select the setting that provides the sound you prefer when listening in your normal listening position.

## 1 Adjust the cut-off frequency.

Turn the CUT OFF FREQ control, depending on the reproduction frequencies of your front speakers.

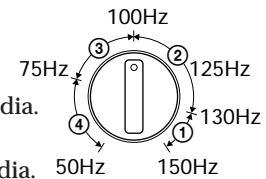
Refer to the following when adjusting.

① Typical very small sized speakers: 5 – 7 cm dia.

② Typical small sized speakers: 8 – 15 cm dia.

③ Typical medium sized speakers: 16 – 24 cm dia.

④ Typical large sized speakers: more than 25 cm dia.



To make the most of the low level converter function of Dolby digital, turn the CUT OFF FREQ as high as possible when playing back the Dolby digital (AC-3).

## 2 Adjust the volume level of the woofer.

Turn the LEVEL control so that you can hear the bass sound a little more than before. To increase the volume, turn the control clockwise. To decrease the volume, turn the control counterclockwise.

## 3 Play your favorite song and movie.

Select MOVIE or MUSIC with MODE selector.

Male vocal tunes and voice containing bass sounds are most suitable for adjustment. Turn the volume for front speakers to the same level as usual.

## 4 Select the phase polarity.

Use the PHASE selector to select the phase polarity.

## 5 Repeat steps 1 to 4 to adjust for your preference.

Once you have adjusted the woofer to the settings you desire, use the VOLUME control on the amplifier to adjust the volume of the woofer with that of the other speakers. You don't need to adjust the woofer settings when you change the volume level of the amplifier.

### Precautions

#### On safety

- Before operating the woofer, be sure that the operating voltage of your woofer is identical with that of your local power supply.
- Unplug the woofer from the wall outlet if it is not to be used for an extended period of time. To disconnect the cord, pull the cord by grasping the plug. Never pull the cord itself.
- Should any liquid or solid object fall into the woofer, unplug the woofer and have the woofer checked by qualified personnel before operating it any further.
- AC power cord must be changed only at the qualified service shop.

**When turning on or off an amplifier or other equipment**  
Lower the volume of the amplifier to minimum.

#### To avoid damaging the woofer

- Be careful in setting the volume control of the amplifier to avoid an excessive input power.
- Do not attempt to open the enclosure or remold speaker units and networks.
- The grill net is not removable. Do not remove it.

**In case color irregularity is observed on the nearby TV screen**

With the magnetically shielded type of the speaker system, the speakers can be installed near a TV set. However, color irregularity may still be observed on the TV screen depending on the type of your TV set.

**If color irregularity is observed...**

→ Turn off the TV set once, then turn it on after 15 to 30 minutes.

**If color irregularity is observed again...**

→ Place the speakers further apart from the TV set.

**When howling occurs**

Relocate the speaker or turn down the volume of the amplifier.

#### On installation

- Do not install the woofer near heat sources such as radiators or air ducts, or in a place subject to direct sunlight, excessive dust, mechanical vibration or shock.
- Good ventilation is essential to prevent internal heat build-up in the woofer. Place the woofer in a location with adequate air circulation. Do not place the woofer on a soft surface or too close to a wall as this may obstruct the ventilation hole on the back.

#### On cleaning the cabinet

Clean the cabinet with a soft cloth lightly moistened with water. Do not use any type of abrasive pad, scouring powder or solvent such as alcohol or benzine.

If you have any questions or problems concerning your woofer that is not covered in this manual, please consult your nearest Sony dealer.

### Troubleshooting

If you experience any of the following difficulties while using the woofer, use this troubleshooting guide to help you remedy the problem. Should any problem persist, consult your nearest Sony dealer.

#### There's no sound.

- ➔ Check that this woofer and components are connected correctly and securely.
- ➔ Turn LEVEL clockwise to turn the volume up.
- ➔ Select SPEAKER or LINE with IN PUT selector.
- ➔ Reset the level.

#### The sound has suddenly stopped.

- ➔ The speaker cords may have short-circuited. Connect the cords properly.

#### The sound is distorted.

- ➔ The input signal is imperfect.
- ➔ The input signal level is too high.
- ➔ Set the CUT OFF FREQ as high as possible when playing back the Dolby digital (AC-3).

#### Severe hum or noise is heard.

- ➔ Connect the ground wire of the turntable properly.
- ➔ The contacts between the plugs of the connecting cords and the corresponding jacks have not been made properly. Connect the plugs firmly.
- ➔ The audio system is picking up some noise from a TV set. Move the audio system away from the TV set or turn the TV set off.

## Specifications

For the U.S.A. model

Audio power specifications

**POWER OUTPUT AND TOTAL HARMONIC DISTORTION:**

With 8 ohm loads, from 20 – 150 Hz; rated 180 watts (SA-W70ES/W705)/130 watts (SA-W505) per channel minimum RMS power, with no more than 0.8 % total harmonic distortion from 250 milliwatts to rated output.

System

Type Active Super Woofer (magnetically shielded design)

Speaker unit

Woofer: SA-W70ES/W705: 20cm dia. (8 in.) x 2  
SA-W505: 20cm dia. (8 in.) x 1

Practical maximum output

U.S.A. and Canada

SA-W70ES/W705: 250 W (50 Hz)  
SA-W505: 170 W (50 Hz)

Europe and Malaysia

SA-W70ES/W705: 200 W (8 ohms, DIN)  
400 W (MUSIC)

SA-W505: 130 W (8 ohms, DIN)  
260 W (MUSIC)

Other countries

SA-W70ES/W705: 250 W (50 Hz)  
SA-W505: 170 W (50 Hz)

Reproduction frequency range

SA-W70ES/W705: 18 – 150Hz  
SA-W505: 20 – 150Hz

High frequency cut-off frequency

50 Hz – 150 Hz

Phase selector

NORMAL, REVERSE

Inputs

Input jacks

LINE IN: Input pin jack  
SPEAKER IN: Input terminals

General

SA-W70ES/W705:

Where purchased	Power requirements
U.S.A and Canada	120 V, 60 Hz
Europe and Other countries	220 – 230 V, 50/60 Hz

SA-W505:

Where purchased	Power requirements
U.S.A and Canada	120 V, 60 Hz
Europe and Other countries	220 – 230 V, 50/60 Hz

Power consumption

SA-W70ES/W705: 190 W  
SA-W505: 130 W

Dimensions

SA-W70ES/W705: Approx. 255 x 630 x 520 mm  
(w/h/d) (10<sup>1</sup>/<sub>8</sub> x 24<sup>7</sup>/<sub>8</sub> x 20<sup>1</sup>/<sub>2</sub> in.)  
SA-W505: Approx. 255x 380 x 520 mm (w/h/d)  
(10<sup>1</sup>/<sub>8</sub> x 15 x 20<sup>1</sup>/<sub>2</sub> in.)

Mass

SA-W70ES/W705: 27 kg (59lb 90oz)  
SA-W505: 19 kg (41lb 15oz)

Supplied accessories

Audio connecting cord  
(1 phono plug – 1 phono plug) (1)  
Speaker cord (2)

Optional accessory

Speaker stand WS-W505(for SA-W505 and optional speaker SS-T505)

Design and specifications are subject to change without notice.

## AVERTISSEMENT

**Afin d'éviter tout risque d'incendie ou d'électrocution, ne pas exposer cet appareil à la pluie ou à l'humidité.**

### ATTENTION

POUR PREVENIR LES CHOCS ELECTRIQUES, NE PAS UTILISER CETTE FICHE POLARISEE AVEC UN PROLONGATEUR, UNE PRISE DE COURANT OU UNE AUTRE SORTIE DE COURANT, SAUF SI LES LAMES PEUVENT ETRE INSEREES A FOND SANS EN LAISSER AUCUNE PARTIE A DECOUVERT.

Ne pas installer l'appareil dans un espace confiné, comme dans une bibliothèque ou un placard mural.

## **Bienvenue !**

Merci pour l'achat de ce caisson de grave amplifié Sony. Avant de mettre ce caisson en service, veuillez lire attentivement le mode d'emploi et le garder pour toute référence future.

# **TABLE DES MATIÈRES**

---

## **Préparatifs**

- Déballage 4
- Installation 4
- Raccordement du système 5

---

## **Fonctionnement de base**

- Pour écouter le son 8
- Réglage du son 9

---

## **Informations complémentaires**

- Précautions 10
- Guide de dépannage 10
- Spécifications 11

### Déballage

Vérifiez si les éléments suivants se trouvent bien dans l'emballage:

- Cordon de liaison audio (1)
- Cordon d'enceinte (2)

### Installation

Comme l'oreille humaine ne peut pas détecter la direction ni la position des basses reproduites par un caisson de grave (en dessous de 150 Hz), vous pouvez installer le caisson où vous voulez dans la pièce. Pour obtenir une meilleure reproduction du grave, il est toutefois conseillé de l'installer sur un sol ferme, où la résonance est peu probable.

Vous pouvez obtenir suffisamment de grave à partir d'un seul caisson. Toutefois, si vous utilisez plusieurs caissons de grave, les basses seront naturellement plus puissantes.

Lors du raccordement de l'enceinte optionnelle SS-T505 Vous pouvez rattacher l'enceinte au caisson de grave en utilisant le support d'enceintes WS-W505, prévu à cet effet.

#### Remarques

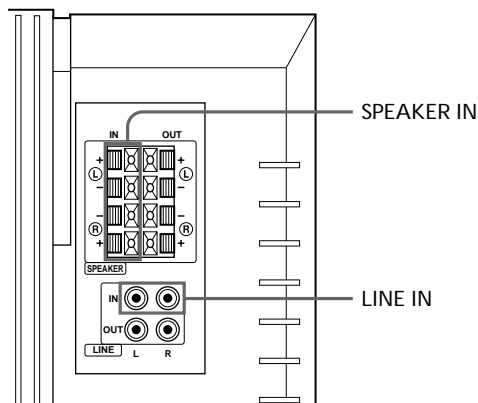
- Installez toujours le caisson à la verticale et à plusieurs centimètres du mur.
- Ne pas poser d'objet sur le caisson ni s'asseoir dessus.
- Si le caisson est installé au centre d'une pièce, le son grave est extrêmement affaibli. Ce phénomène est dû aux ondes stationnaires de la pièce. Le cas échéant, éloignez le caisson du centre de la pièce, ou éliminez la cause des ondes stationnaires, en installant, par exemple, une étagère.

## Raccordement du système

### Aperçu

Utilisez les prises LINE IN ou les bornes SPEAKER IN du caisson quand vous raccordez l'amplificateur.

- Si l'amplificateur est équipé d'une des prises de sortie suivantes, reliez la prise  $\text{L}$  (canal gauche) de LINE IN et la prise de l'amplificateur avec le cordon de liaison audio fourni.
  - Prises MONO OUT
  - Prise MIX OUT
  - Prise(s) de sortie SUB WOOFER
  - Prise(s) de sortie SUPER WOOFER
- Si l'amplificateur n'offre aucune des prises de sortie indiquées, reliez les bornes d'enceintes de l'amplificateur aux bornes SPEAKER IN.



### Avant de commencer

- Éteignez l'amplificateur et le caisson de grave avant de les relier.
- Utilisez les cordons audio fournis avec les différents appareils. Si vous n'avez pas assez de cordons pour faire les liaisons nécessaires, vous devrez acheter des cordons de liaison audio en option.
- Veillez à insérer à fond les fiches dans les prises pour éviter toute source de bruit.
- Branchez le cordon d'alimentation secteur du caisson sur une prise murale.
- Vous ne pouvez pas relier la prise de sortie CENTER à ce caisson pour utiliser la fonction Dolby Pro Logic. Le son grave n'est pas fourni par certains modes Dolby Pro Logic.



## Raccordement à un amplificateur avec une seule paire de bornes d'enceintes

Si votre amplificateur n'a qu'une seule paire de bornes d'enceintes, raccordez le caisson de grave à l'amplificateur, puis les enceintes avant au caisson de grave.

### Cordons nécessaires

Cordons d'enceintes (fournis) (1 pour chaque enceinte)



Torsadez l'extrémité du cordon après l'avoir dénudée sur 15 mm environ.

Veillez à brancher les cordons d'enceintes sur les bornes appropriées: + sur + et - sur -. Si les cordons sont inversés, le son sera déformé et les basses feront défaut.

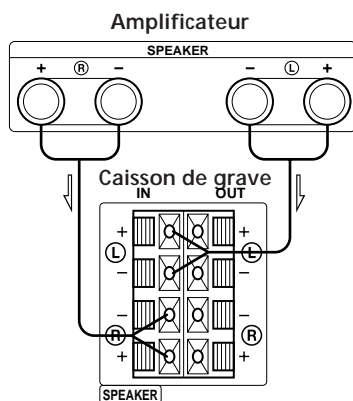
Il est pratique de toujours prendre, par exemple, le cordon rayé pour la liaison aux bornes positives (+). Vous ne risquez pas ainsi de faire de mauvaises liaisons.

### Raccordements

#### 1 Raccordez le caisson de grave à l'amplificateur.

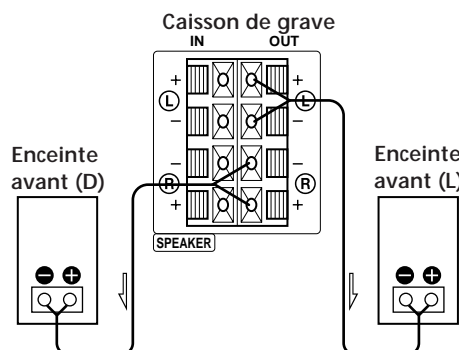
Raccordez les bornes SPEAKER IN du caisson aux bornes d'enceintes de l'amplificateur avec les cordons d'enceintes. Veillez à raccorder les canaux gauche (L) et droit (R).

→ : Sens du signal



#### 2 Raccordez les enceintes avant au caisson de grave.

Raccordez les enceintes aux bornes d'enceintes du caisson de grave.



## Raccordement à un amplificateur avec double paire (A + B) de bornes d'enceintes

Si votre amplificateur a une double paire de bornes d'enceintes (A + B), raccordez le caisson de grave et les enceintes avant à l'amplificateur.

### Cordons nécessaires

Cordons d'enceintes (fournis) (1 pour chaque enceinte)

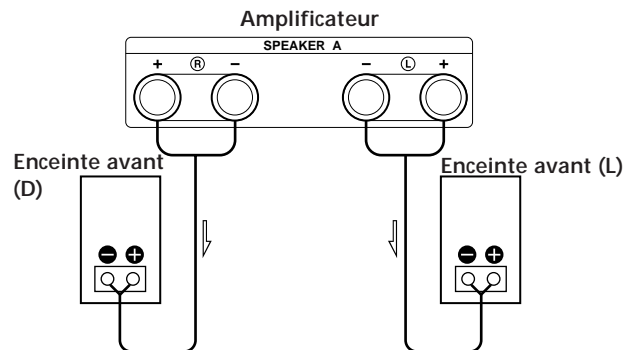


Torsadez l'extrémité du cordon après l'avoir dénudée sur 15 mm environ.

### Raccordements

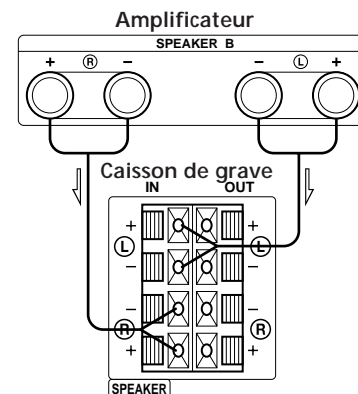
#### 1 Raccordez les enceintes avant à l'amplificateur.

Raccordez les enceintes aux bornes d'enceintes de l'amplificateur (A).



#### 2 Raccordez le caisson de grave à l'amplificateur.

Reliez les bornes SPEAKER IN du caisson de grave aux bornes d'enceintes (B) de l'amplificateur en utilisant les cordons d'enceintes fournis.



Quand vous utilisez la double paire de prises (A + B), veillez à sélectionner la position "A + B" sur l'amplificateur.

### Remarque

Quand vous utilisez les bornes d'enceintes (A) seulement (enceintes avant seulement) ou quand l'amplificateur est éteint, réduisez le volume ou éteignez le caisson sinon vous entendrez un bourdonnement.

## Raccordement à un amplificateur avec prise spéciale pour caisson d'extrême grave

Si votre amplificateur a une prise spécial pour caisson d'extrême grave (prise MONO OUT, MIX OUT, SUB WOOFER ou SUPER WOOFER), reliez les prises LINE IN du caisson de grave à cette prise.

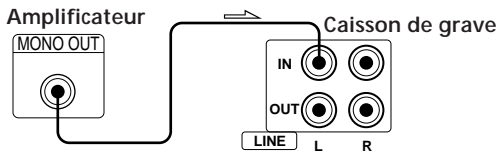
Cordons nécessaires

Cordon de liaison audio (fourni) (1)

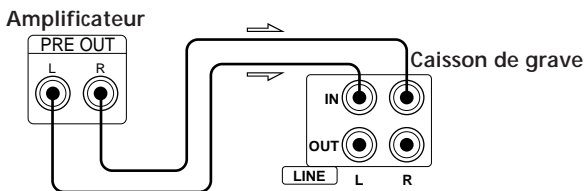


### Raccordements

Raccordez la prise MONO OUT de votre amplificateur à la prise LINE IN (L) gauche du caisson avec le cordon de liaison audio fourni.



Raccordez les prises PRE OUT (L/R) de votre amplificateur aux prises LINE IN (L/R) du caisson avec le cordon de liaison audio fourni.

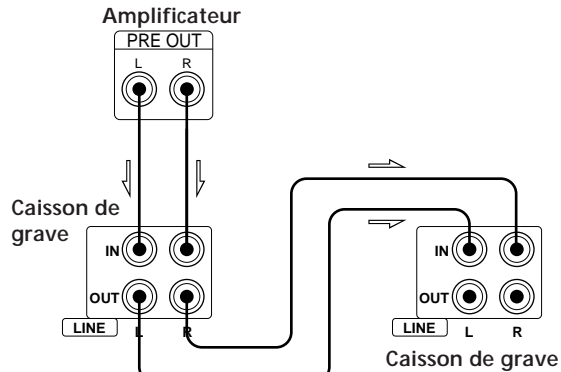


### Remarque

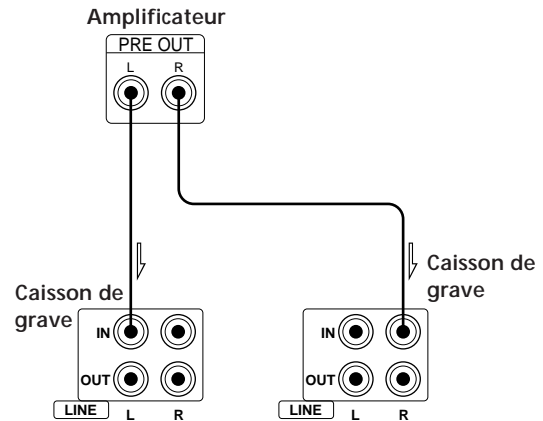
Si le niveau de sortie de l'amplificateur n'est pas suffisant, le son peut ne pas être assez puissant. Dans ce cas, reliez les bornes d'enceintes de l'amplificateur directement aux bornes SPEAKER IN du caisson.

## Utilisation du caisson de grave pour les canaux gauche (L) et droit (R)

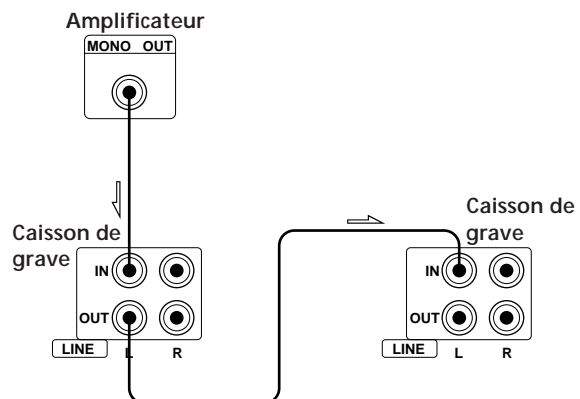
Si votre amplificateur a des prises PRE OUT, raccordez-les au caisson comme indiqué sur les illustrations suivantes.



ou



Si votre amplificateur a une prise MONO OUT, raccordez-la à la prise LINE IN (L) gauche du caisson.



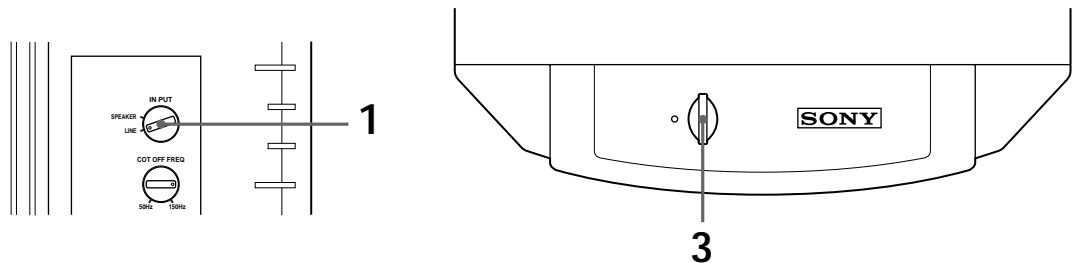
### Remarque

Raccordez la prise MONO OUT, la prise de sortie SUB WOOFER et la prise de sortie SUPER WOOFER de l'amplificateur à la prise d'entrée gauche du caisson. Si vous les raccordez à la prise d'entrée droite du caisson aucun son ne sera fourni.

## Raccordement du cordon d'alimentation secteur

Branchez le cordon d'alimentation secteur du caisson de grave et de l'amplificateur sur une prise murale.

# Pour écouter le son



## Remarque

Ne réglez jamais le timbre (BASS, TREBLE, etc.) de l'amplificateur ou la sortie de l'égaliseur sur un niveau élevé. Ne laissez jamais entrer à niveau élevé des ondes sinusoïdales de 20 Hz à 50 Hz enregistrées sur les disques d'essai vendus dans le commerce ou des sons spéciaux (son grave d'un instrument de musique électronique, bruit de surface d'une platine tourne-disque, son avec des graves excessivement accentués, etc.), car les enceintes pourraient être endommagées. La lecture d'un disque qui contient des graves excessivement accentués peut produire des bruits en plus du son d'origine. Dans ce cas, diminuez le niveau sonore.

## Remarque

Le signal de sortie d'extrême grave (signal numérique DOLBY (AC-3)) du processeur de son numérique vendu séparément est réglé 10 dB plus haut par Dolby Laboratories Licensing Corporation. Pour une utilisation normale, ajustez le niveau de l'extrême grave.

---

**1** Sélectionnez SPEAKER ou LINE avec le sélecteur IN PUT.

---

**2** Allumez l'amplificateur et sélectionnez la source de programme.

---

**3** Appuyez sur POWER.

Le caisson est mis sous tension et l'indicateur POWER s'allume en vert.

---

**4** Reproduisez la source de programme.

Ajustez VOLUME pour que le son des enceintes avant soit sans distorsion.

Si le son des enceintes avant présente de la distorsion, il en sera de même du son du caisson de grave.

---

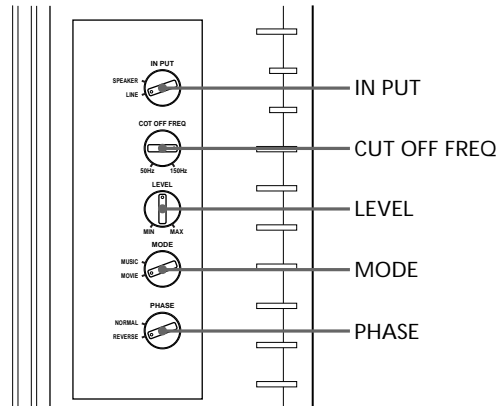
## Pour mettre hors tension

Appuyez sur POWER pour libérer l'interrupteur.

Si vous entendez du bruit quand vous mettez le caisson de grave hors service, diminuez le niveau du caisson de grave (commande LEVEL) ou éteignez l'amplificateur avant de mettre le caisson de grave hors tension.

# Réglage du son

Vous pouvez ajuster le son du caisson de grave pour l'adapter au son des enceintes avant. L'amplification du grave intensifiera l'ambiance générale.

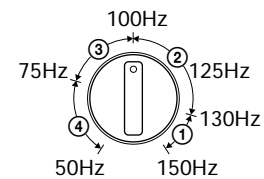


## 1 Ajustez la fréquence de coupure.

Tournez la commande CUT OFF FREQ en fonction des fréquences que peuvent reproduire les enceintes avant.

Pour faire le réglage, tenez compte des indications suivantes:

- ① Haut-parleurs typiques de très petites dimensions dia. 5 – 7 cm
- ② Haut-parleurs typiques de petites dimensions dia. 8 – 15 cm
- ③ Haut-parleurs typiques de moyennes dimensions dia. 16 – 24 cm
- ④ Haut-parleurs typiques de grandes dimensions plus de 25 cm



Pour tirer le meilleur parti du convertisseur à bas niveau du Dolby numérique, élevez au maximum la fréquence de coupure (CUT OFF FREQ) lorsque vous écoutez des enregistrements en Dolby numérique (AC-3).

## 2 Réglez le volume du caisson de grave.

Tournez la commande LEVEL de manière à entendre un peu plus le grave. Pour augmenter le volume, tournez la commande vers la droite et pour le diminuer, tournez-la vers la gauche.

## 3 Reproduisez un de vos morceaux favoris.

Sélectionnez MOVIE ou MUSIC avec le sélecteur MODE. Les voix d'hommes contiennent des sons graves qui permettent d'effectuer facilement les réglages. Réglez le volume des enceintes avant au niveau habituel.

## 4 Sélectionnez la polarité de la phase.

Utilisez le sélecteur PHASE pour sélectionner la polarité de la phase.

## 5 Refaites les réglages 1 à 4 pour obtenir le son qui vous convient.

Une fois que le caisson de grave a été ajusté selon vos préférences, utilisez la commande VOLUME sur l'amplificateur pour régler le volume du caisson de grave et des autres enceintes. Vous n'avez pas besoin de changer les réglages du caisson lorsque vous réglez le volume sur l'amplificateur.

### Remarque

Si le son présente de la distorsion quand le système de renforcement des graves de votre amplificateur est en service (DBFB, GROOVE, égaliseur graphique, etc.) mettez-le hors service et ajustez le son.

### Remarque

Une inversion de polarité avec le sélecteur PHASE (réglage sur NORMAL ou REVERSE) peut assurer une meilleure reproduction du son grave dans certaines situations d'écoute (en fonction du type d'enceintes avant, de la position du caisson de grave et du réglage de la fréquence de coupure). Elle peut aussi changer la sensation d'expansion ou de contraction du son et modifier le champ sonore. Sélectionnez le réglage qui donne le son que vous préférez à votre position d'écoute habituelle.

### Précautions

#### Sécurité

- Avant d'utiliser le caisson de grave, vérifiez que sa tension de fonctionnement est identique à celle du secteur local.
- Si vous prévoyez de ne pas utiliser le caisson pendant longtemps, débranchez-le de la prise murale. Pour débrancher le cordon d'alimentation secteur, tirez sur la fiche. Ne jamais tirer sur le cordon proprement dit.
- Si un liquide ou un solide tombait dans le coffret, débranchez le caisson et faites-le contrôler par un technicien qualifié avant de le remettre en service.
- Le cordon d'alimentation secteur doit être changé par un professionnel seulement.

#### Avant d'allumer ou d'éteindre l'amplificateur ou un autre appareil

N'oubliez pas de baisser complètement le volume.

#### Pour éviter d'endommager le caisson de grave

- Réglez avec soin le volume de l'amplificateur pour éviter toute entrée de son excessive.
- Ne pas essayer d'ouvrir le coffret ou de modifier les haut-parleurs et les circuits.
- La grille ne peut pas être enlevée. N'essayez pas de l'enlever.

#### Si vous observez des anomalies de couleurs sur l'écran du téléviseur installé à proximité du caisson

Normalement les enceintes ont un blindage magnétique et peuvent être installées près d'un téléviseur, mais il est possible d'observer des anomalies de couleurs avec certains types de téléviseur.

#### Si vous observez des anomalies de couleurs...

→ Eteignez le téléviseur, puis rallumez-le 15 à 30 minutes plus tard.

#### S'il n'y a aucun changement...

→ Eloignez les enceintes du téléviseur.

#### En cas de rétroaction acoustique

Changez l'emplacement des enceintes ou baissez le volume de l'amplificateur.

#### Installation

- Ne pas installer le caisson de grave près d'une source de chaleur, comme un radiateur ou une bouche d'air chaud, dans un endroit en plein soleil ou exposé à de la poussière, des vibrations ou des chocs mécaniques.
- Une bonne ventilation est essentielle pour éviter une surchauffe interne du caisson. Installez le caisson dans un endroit où la circulation d'air est suffisante. Ne pas l'installer sur une surface molle ou trop près d'un mur pour ne pas boucher l'orifice de ventilation à l'arrière du caisson.

#### Nettoyage du coffret

Nettoyez le coffret avec un chiffon doux légèrement imprégné d'eau. Ne pas utiliser de tampons abrasifs, poudre à récurer ou diluant, comme l'alcool ou la benzine.

Pour toute question ou problème au sujet du caisson de grave, veuillez contacter votre revendeur Sony le plus proche.

### Guide de dépannage

Si vous rencontrez une des difficultés suivantes quand vous utilisez le caisson de grave, lisez le guide de dépannage pour vous aider à trouver une solution. Si vous n'y parvenez pas, adressez-vous à votre revendeur Sony le plus proche.

#### Aucun son

- ➔ Vérifiez si le caisson de grave et les différents éléments sont raccordés comme il faut.
- ➔ Tournez la commande LEVEL dans le sens des aiguilles d'une montre pour augmenter le volume.
- ➔ Sélectionnez SPEAKER ou LINE avec le sélecteur INPUT.
- ➔ Réajustez le niveau.

#### Le son s'est soudainement arrêté.

- ➔ Il y a peut-être eu un court-circuit au niveau des cordons d'enceintes. Raccordez-les correctement.

#### Le son présente de la distorsion.

- ➔ Le signal d'entrée n'est pas parfait.
- ➔ Le niveau du signal d'entrée est trop élevé.
- ➔ Réglez CUT OFF FREQ le plus possible lorsque vous écoutez des enregistrements en Dolby numérique (AC-3).

#### Bourdonnement ou bruit important.

- ➔ Raccordez le fil de masse du tourne-disque correctement.
- ➔ Le contact entre les fiches des cordons de liaison et les prises correspondantes est mauvais. Insérez les fiches à fond.
- ➔ La chaîne audio capte le bruit d'un téléviseur. Eloignez la chaîne audio du téléviseur ou éteignez le téléviseur.

## Spécifications

### Système

Type Caisson de grave amplifié (à blindage magnétique)

### Haut-parleur

Grave: SA-W70ES/W705: 20 cm (8 pouces) x 2  
SA-W505: 20 cm (8 pouces) x 1

### Puissance de sortie maximale

#### Etats-Unis et Canada

SA-W70ES/W705: 250 W (50 Hz)  
SA-W505: 170 W (50 Hz)

#### Europe et Malaisie

SA-W70ES/W705: 200 W (8 ohms, DIN)  
400 W (Puissance musicale)  
SA-W505: 130 W (8 ohms, DIN)  
260 W (Puissance musicale)

#### Autres pays

SA-W70ES/W705: 250 W (50 Hz)  
SA-W505: 170 W (50 Hz)

### Plage de fréquences

SA-W70ES/W705: 18 Hz à 150 Hz  
SA-W505: 20 Hz à 150 Hz

### Fréquence de coupure haute fréquence

50 Hz à 150 Hz

### Sélecteur de phase

NORMAL (phase normale),  
REVERSE (phase inversée)

### Entrées

#### Prises d'entrée

LINE IN: Prise d'entrée Cinch  
SPEAKER IN: Bornes d'entrée

### Généralités

#### Alimentation

##### SA-W70ES/W705:

Lieu d'achat	Alimentation
Etats-Unis et Canada	120 V, 60 Hz
Europe et autres pays	220 – 230V, 50/60 Hz

##### SA-W505:

Lieu d'achat	Alimentation
Etats-Unis et Canada	120 V, 60 Hz
Europe et autres pays	220 – 230V, 50/60 Hz

#### Consommation

SA-W70ES/W705: 190 W  
SA-W505: 130 W

Dimensions SA-W70ES/W705: Environ 255 x 630 x 520 mm (l/h/p) (10 1/8 x 24 7/8 x 20 1/2 pouces)  
SA-W505: Environ 255 x 380 x 520 mm (l/h/p) (10 1/8 x 15 x 20 1/2 pouces)

Poids SA-W70ES/W705: 27 kg (59 li. 90 on.)  
SA-W505: 19 kg (41 li. 15 on.)

#### Accessoires fournis

Cordon de liaison audio  
(1 fiche Cinch – 1 fiche Cinch) (1)  
Cordons d'enceintes (2)

#### Accessoire en option

Support d'enceintes WS-W505 (pour le SA-W505 et l'enceinte optionnelle SS-T505)

La conception et les spécifications peuvent être modifiées sans préavis.



