

# ***5 Channel Power Amplifier***

---

Operating Instructions \_\_\_\_\_

**US**

Mode d'emploi \_\_\_\_\_

**FR**

*TA-N9000ES*

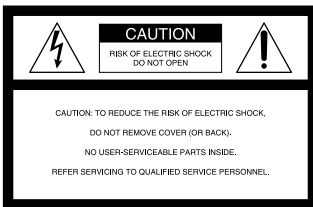
# WARNING

To prevent fire or shock hazard, do not expose the unit to rain or moisture.

To avoid electrical shock, do not open the cabinet. Refer servicing to qualified personnel only.

Do not install the appliance in a confined space, such as a bookcase or built-in cabinet.

For the customers in United States



This symbol is intended to alert the user to the presence of uninsulated “dangerous voltage” within the product’s enclosure that may be of sufficient magnitude to constitute a risk of electric shock to persons.



This symbol is intended to alert the user to the presence of important operating and maintenance (servicing) instructions in the literature accompanying the appliance.

## INFORMATION

This equipment has been tested and found to comply with the limits for a Class B digital device, pursuant to Part 15 of the FCC Rules.

These limits are designed to provide reasonable protection against harmful interference in a residential installation. This equipment generates, uses, and can radiate radio frequency energy and, if not installed and used in accordance with the instructions, may cause harmful interference to radio communications.

However, there is no guarantee that interference will not occur in a particular installation. If this equipment does cause harmful interference to radio or television reception, which can be determined by turning the equipment off and on, the user is encouraged to try to correct the interference by one or more of the following measures:

- Reorient or relocate the receiving antenna.
- Increase the separation between the equipment and power amplifier.
- Connect the equipment into an outlet on a circuit different from that to which the power amplifier is connected.
- Consult the dealer or an experienced radio/TV technician for help.

## CAUTION

You are cautioned that any changes or modification not expressly approved in this manual could void your authority to operate this equipment.

## Owner’s Record

The model and serial numbers are located on the rear of the unit. Record the serial number in the space provided below. Refer to them whenever you call upon your Sony dealer regarding this product.

Model No. TA-N9000ES  
Serial No. \_\_\_\_\_

For the customers in Canada

## CAUTION


TO PREVENT ELECTRIC SHOCK, DO NOT USE THIS POLARIZED AC PLUG WITH AN EXTENSION CORD, RECEPTACLE OR OTHER OUTLET UNLESS THE BLADES CAN BE FULLY INSERTED TO PREVENT BLADE EXPOSURE.

---

## About This Manual

The instructions in this manual are for model TA-N9000ES. Check your model number by looking at the lower right corner of the front panel.

### Conventions

- The following icon is used in this manual:  
 Indicates hints and tips for making the task easier.

# TABLE OF CONTENTS

---

## Hooking Up the Components 4

Unpacking 4

Normal Connections Using One Power Amplifier 6

Normal Connections Using Two Power Amplifiers 7

If You Already Have an Integrated Stereo Amplifier 8

Using the Power Amplifier with a Digital Signal Processor 9

BTL Connections Using Two Power Amplifiers 10

Control A1 Connections 11

Power Connections 11

---

## Location of Parts and Basic Operations 12

Front Panel Parts Description 12

---

## Additional Information 14

Precautions 14

Troubleshooting 15

Specifications 16

US

# Hooking Up the Components

This chapter describes how to connect a Sony TA-E9000ES control amplifier, your speakers, and your other audio components to the power amplifier. Be sure to read this section before making any connections.

---

## Unpacking

Check that you received the following items:

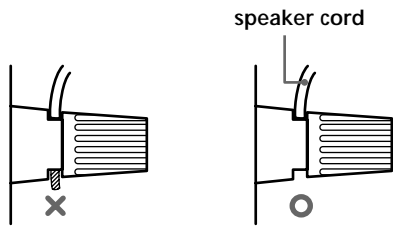
- Control A1 cable (1)

### Before you get started

- Turn off the power to all components before making any connections.
- Do not connect the AC power cords until all of the connections are completed.
- Be sure to make connections firmly to avoid hum and noise.
- When connecting an audio cord, be sure to match the color-coded pins to the appropriate jacks on the components: white (left) to white; and red (right) to red.
- When connecting the center channel, you can use either the red or white pins on the audio cord.

### Notes on speaker system hookup

- Twist the stripped ends of the speaker cords about 10 mm.



This is a high output amplifier. Touching the stripped end of the speaker cords may result in injury. When connecting the speakers, be sure the stripped end of the speakers cord does not protrude from the speaker terminal.

- Connect the right front and rear speakers to the FRONT and REAR SPEAKERS “R” terminals, connect the left front and rear speakers to the FRONT and REAR SPEAKERS “L” terminals.  
Be sure to match the speaker cord to the appropriate terminal on the components: + to + and - to -. If the cords are reversed, the sound will be distorted and will lack bass.
- If you use front speakers that have a low maximum input rating, adjust the volume of the control amplifier carefully to avoid producing excessive output from this unit that may be harmful to the speakers.
- To obtain a higher power output when using speakers with a nominal impedance greater than 8 ohms, connect the speakers using BTL connections.  
When making BTL connections, refer to “BTL Connections Using Two Power Amplifiers” on page 10 for details.
- Set the SPEAKER IMPEDANCE selector on the rear panel according to the type of speakers you are connecting. See “Selecting the speaker impedance” on this page for details.
- When making normal (non-BTL) connections to your speakers, be sure the OPERATION selector on the rear panel of the power amplifier is set to “NORMAL”.  
When making BTL connections, set to “BTL”.

### Selecting the speaker impedance

Be sure to set the SPEAKER IMPEDANCE selector on the rear panel of the power amplifier to the top position when making normal connections to speakers with nominal impedance of 4 to 8 ohms, or when making BTL connections to speakers with nominal impedance of 8 to 16 ohms.

Set the SPEAKER IMPEDANCE selector on the rear panel of the power amplifier to the bottom position when making normal connections to speakers with a nominal impedance greater than 8 ohms, or making BTL connections to speakers with a nominal impedance greater than 16 ohms.

Setting the selector to the top position will decrease the power amplifier’s maximum output.

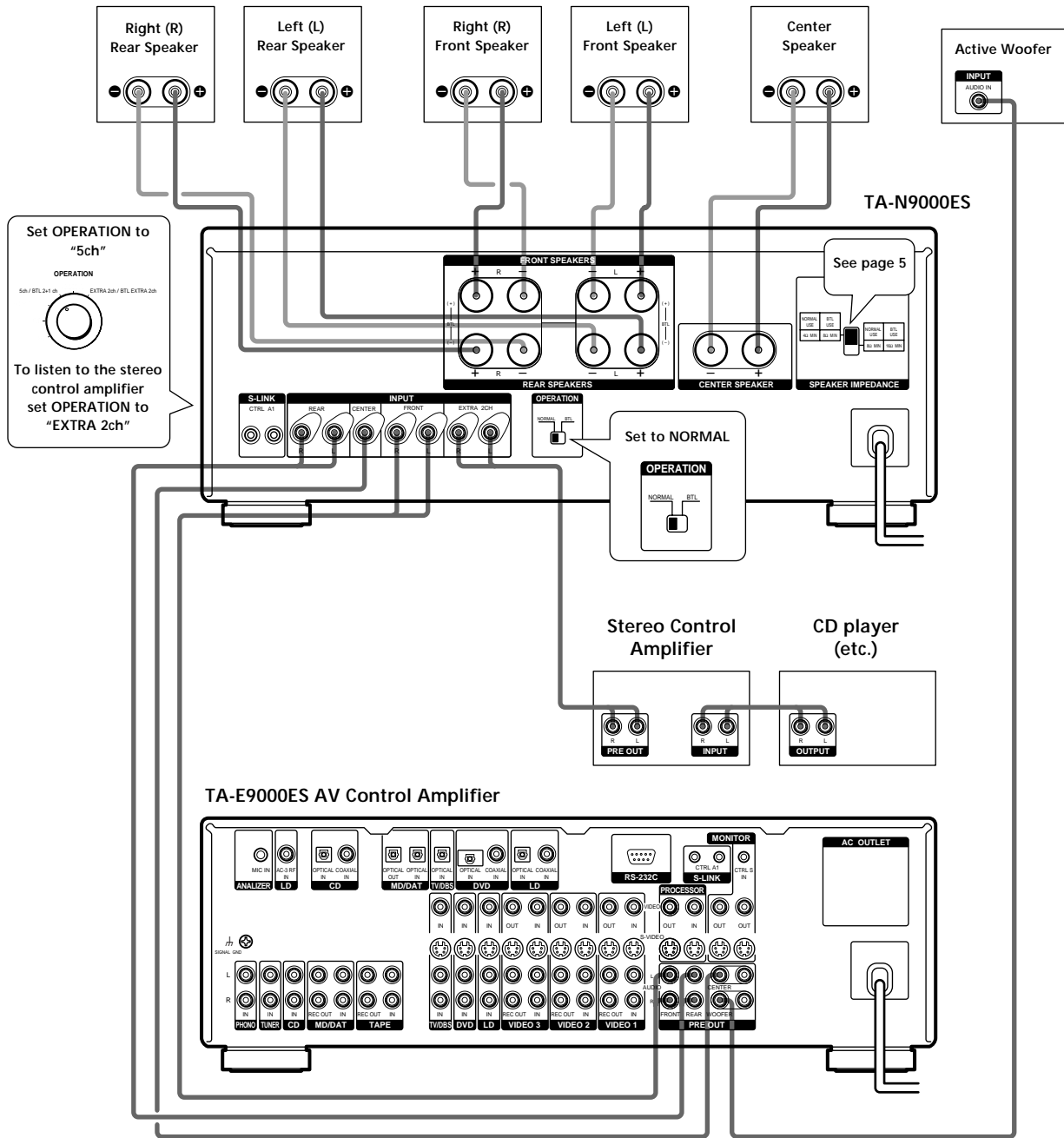
#### Note

Be sure the power amplifier is turned off before you change the position of the SPEAKER IMPEDANCE selector.

# Normal Connections Using One Power Amplifier

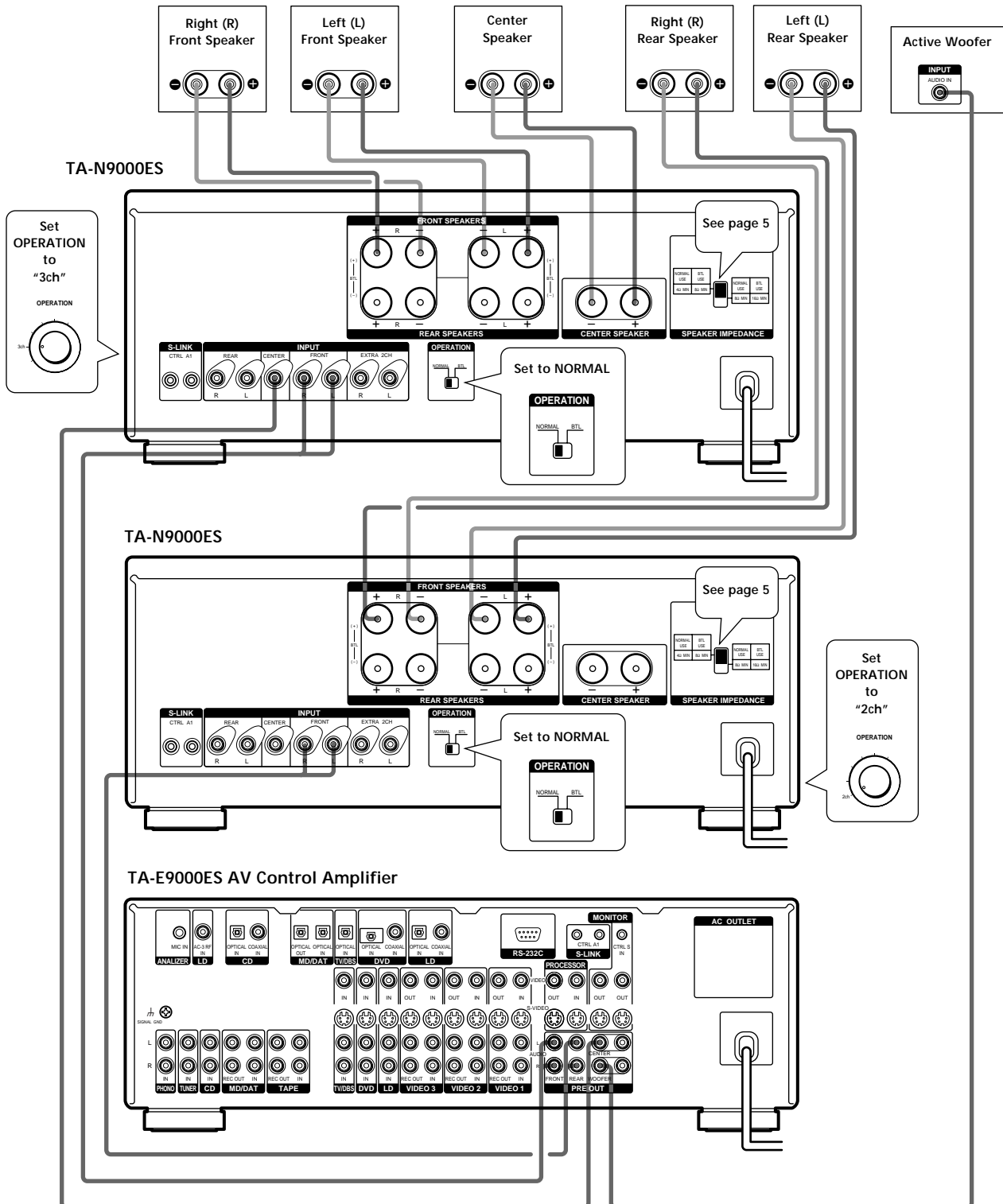
Be sure the OPERATION selector on the rear panel is set to NORMAL.

If you have a separate two channel (stereo) amplifier that you would also like to use with the front speakers, connect it to the EXTRA 2 CH INPUT jacks.



# Normal Connections Using Two Power Amplifiers

Use one power amplifier for the front and center speakers, and one for the rear speakers.  
Be sure the OPERATION selector on the rear panel is set to NORMAL.



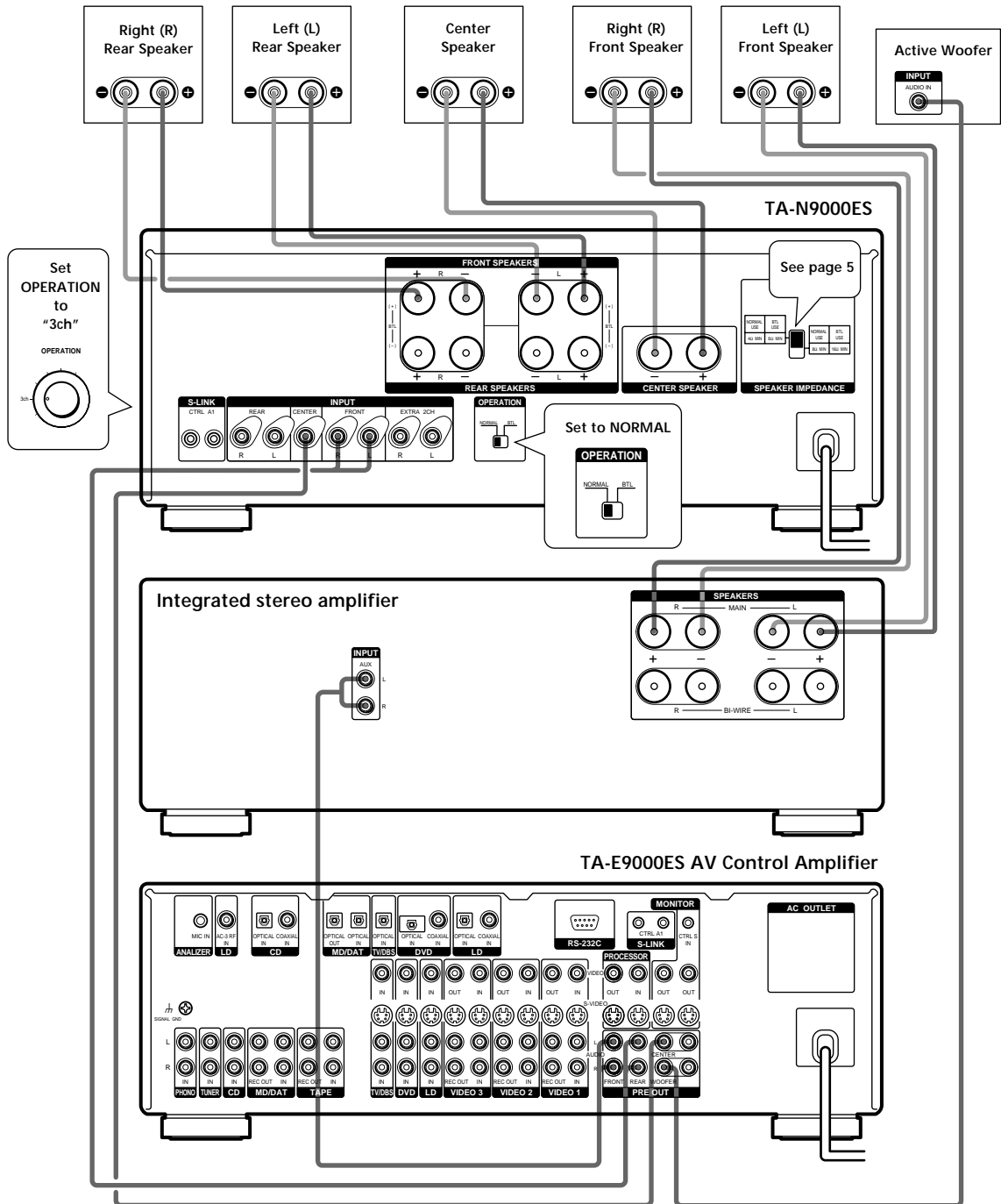
# If You Already Have an Integrated Stereo Amplifier

Make the following connections if you would like to use your integrated stereo amplifier to power the front speakers and this unit to power the rear and center speakers.

Be sure the OPERATION selector on the rear panel is set to NORMAL.

**Note**

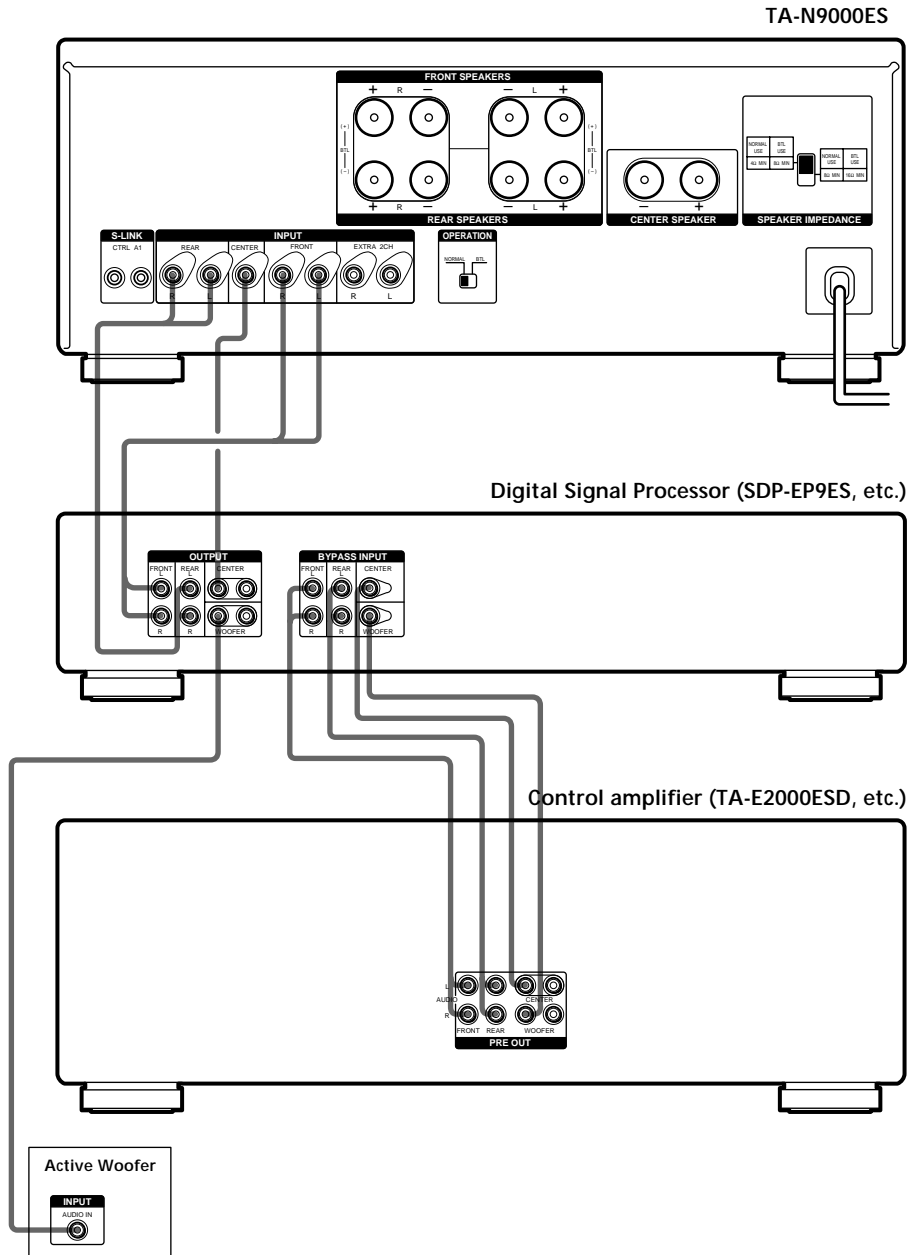
Set the volume control on your integrated stereo amplifier to the center position (roughly 12 o'clock). Setting it to the MAX position may produce an audible noise.





# Using the Power Amplifier with a Digital Signal Processor

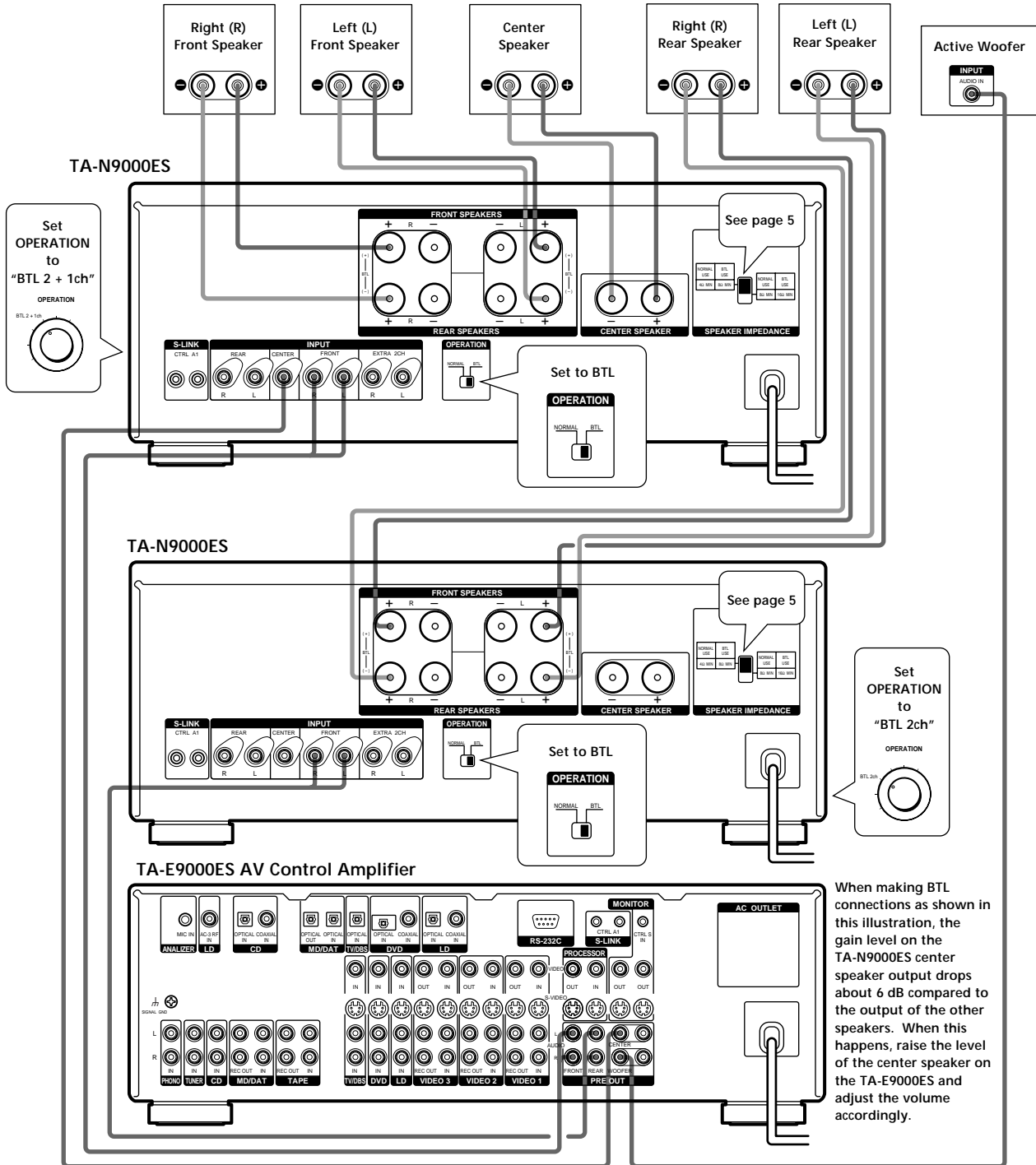
If necessary, you can use more than one power amplifier.  
For details regarding speaker connections, please refer to other pages.



# BTL Connections Using Two Power Amplifiers

Make the following connections if you need more power than provided by the normal connections. Use one power amplifier for the front and center speakers, and one for the rear speakers. Make BTL connections to the front and rear speakers.

Be sure the OPERATION selector on the rear panel is set to BTL. In addition, set the SPEAKER IMPEDANCE selector to the top position.

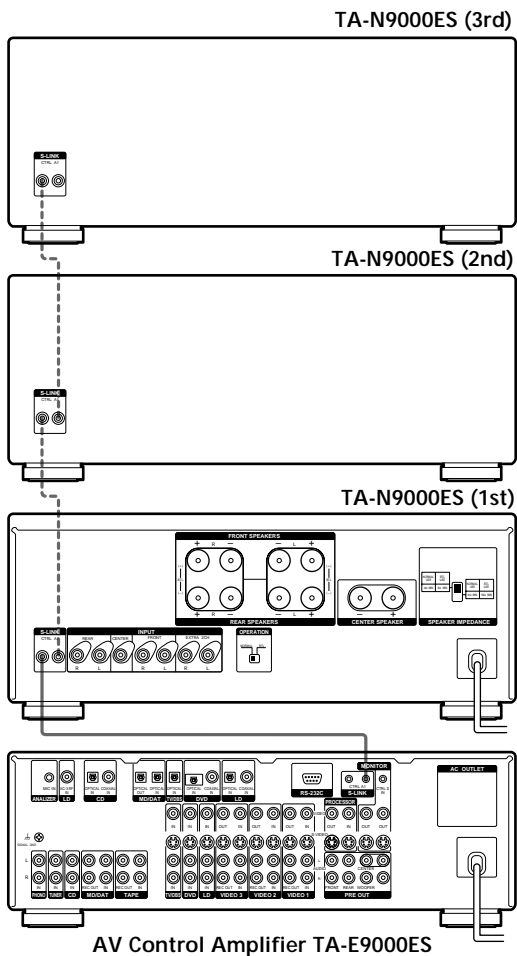


**💡** If you also want to make BTL connections to the center speaker

Use three power amplifiers. Make BTL connections between the center speaker and the third power amplifier using one set of FRONT SPEAKERS terminals. When making these connections, you should also connect a commercially available short plug to the other (unused) FRONT SPEAKERS terminals.

## Control A1 Connections

Use a CONTROL A1 cord (supplied) to connect the S-LINK CTRL A1 jack on this unit to the S-LINK CTRL A1 jack on the TA-E9000ES AV Control Amplifier. When the TA-E9000ES AV Control Amplifier is set to standby mode, this unit will also switch to standby mode. If you are using more than one TA-N9000ES power amplifier, use additional CONTROL A1 cords to connect them in series. Refer to the operating instructions supplied with your TA-E9000ES AV Control Amplifier for details.



## Power Connections

Before connecting the AC power cord of this control amplifier to a wall outlet:

- Connect the speakers.

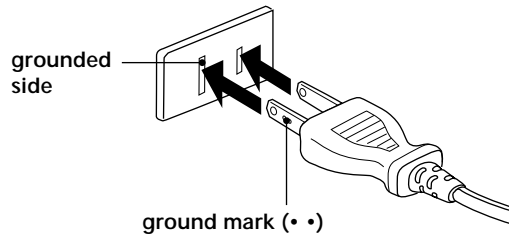
Connect this unit's AC power cord to a wall outlet.

### Note

We recommend that you connect this unit directly to a wall outlet. If you must use a multi-outlet tap, or extension cord, be sure to use one capable of handling high current (at least 10 A) or one designed for office use.

### About the power ⚡

This unit's power plug has a mark (• •) on the ground blade to enable you to match polarity when making power connections and achieve high quality musical reproduction. Insert the marked blade of the power plug into the side of the outlet with the larger opening (the grounded side).



# Location of Parts and Basic Operations

This chapter explain the names and basic operations of the buttons and controls located on the front panel.

---

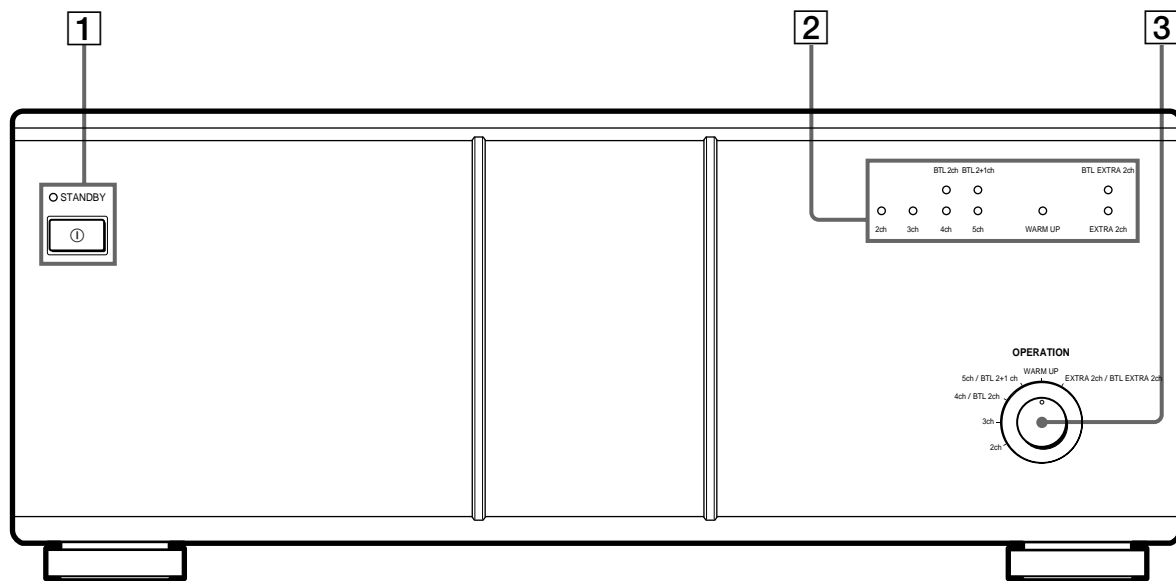
## Front Panel Parts Description

### 1 ① switch

Press to turn the power amplifier on and off.

### STANDBY indicator

Blinks momentarily after ① is pressed to turn the unit on, then goes out to indicate that the unit is ready. If you make Control A1 connections between the power amplifier and the TA-E9000ES AV Control Amplifier, this indicator lights red when control amplifier is set to standby mode.



**2 Operation indicators**

Light to indicate the operation mode selected with the OPERATION control. Blink if you select a mode that cannot be used.

**3 OPERATION control**

Turn to select the channels you want to use.

**When the OPERATION selector on the rear panel is set to NORMAL**

Position	Output Channels
2ch	FRONT (L/R)
3ch	FRONT (L/R) + CENTER
4ch	FRONT (L/R) + REAR (L/R)
5ch	FRONT (L/R) + CENTER + REAR (L/R)
EXTRA 2ch	Signals input to the EXTRA 2ch INPUT jacks are output from the FRONT (L/R) speakers.

**When the OPERATION selector on the rear panel is set to BTL**

Position	Output Channels
BTL 2ch	Signals input to the FRONT or REAR INPUT jacks are output from the FRONT (L/R) BTL speaker connections.
BTL 2ch + 1ch*	Signals input to the FRONT or REAR INPUT jacks are output from the FRONT (L/R) BTL speaker connections. Signals input to the CENTER INPUT jacks are output from the CENTER SPEAKER jacks.
BTL EXTRA 2ch	Signals input to the EXTRA 2ch INPUT jacks are output from the FRONT (L/R) BTL speaker connections.

**WARM UP**

Set OPERATION to this position (instead of turning the power off) to keep the circuitry warm when the power amplifier is not being used. This enables you to enjoy excellent sound quality immediately the next time you use the power amplifier.

The warm up mode works the same during both NORMAL and BTL operation.

\* When OPERATION is in this position and a center speaker is connected, the center speaker gain level drops about 6 dB. When this happens, raise the level of the center speaker on the AV control amplifier (TA-E9000ES, etc.) connected to this amplifier and adjust the volume accordingly.

# Additional Information

## Precautions

### On safety

Should any solid object or liquid fall into the cabinet, unplug the power amplifier and have it checked by qualified personnel before operating it any further.

### On power sources

- Before operating the power amplifier, check that the operating voltage is identical with your local power supply. The operating voltage is indicated on the nameplate at the rear of the power amplifier.
- If you are not going to use the power amplifier for a long time, be sure to disconnect the power amplifier from the wall outlet. To disconnect the AC power cord, grasp the plug itself; never pull the cord.
- AC power cord must be changed only at the qualified service shop.

### On placement

- Place the power amplifier in a location with adequate ventilation to prevent heat buildup and prolong the life of the power amplifier.
- Do not place the power amplifier near heat sources, or in a place subject to direct sunlight, excessive dust or mechanical shock.
- Do not place anything on top of the cabinet that might block the ventilation holes and cause malfunctions.
- Do not place the power amplifier:
  - Any place that is not level or unstable.
  - On top of a carpet or blanket.
  - In an extremely cold place.
  - Near a television or video deck.  
(If used near a television or video deck, you may experience noise in the audio and/or video signals. The possibility of such interference greatly increases when using an indoor TV antenna. We recommend always using an external TV antenna.)
- Although this is a rationally designed 5 channel power amplifier, it does emit an extremely large amount of heat. Therefore, do not place anything on top of this unit. Also, when using several of these units together with high power connections, do not stack them directly on top of one another. Either place each one on an individual shelf of a rack, or place them side by side horizontally.

### On heat emission during use

This unit will become very hot during use. This is not a malfunction.

The top, sides, and rear of the cabinet will become quite hot, especially when playing at high volumes. In such cases, do not touch the cabinet. Touching the cabinet may cause physical injury or fire.

In addition, do not use this unit in a completely enclosed cabinet. Place it in a well ventilated location to prevent an excessive rise in temperature.

### On operation

Before connecting other components, be sure to turn off and unplug the power amplifier.

### On cleaning

Clean the cabinet, panel and controls with a soft cloth slightly moistened with a mild detergent solution. Do not use any type of abrasive pad, scouring powder or solvent such as alcohol or benzine.

If you have any question or problem concerning your power amplifier, please consult your nearest Sony dealer.

## Troubleshooting

If you experience any of the following difficulties while using the power amplifier, use this troubleshooting guide to help you remedy the problem. Should any problem persist, consult your nearest Sony dealer.

### There's no sound or only a very low-level sound is heard.

- ➔ Check that the speakers and components are connected securely.
- ➔ Make sure that all connections have been made securely.
- ➔ Make sure that you have selected the correct component on the control amplifier.
- ➔ Make sure the SPEAKER IMPEDANCE selector is set correctly.
- ➔ During normal operation, make sure the OPERATION switch on the rear panel is set to NORMAL. During BTL operation, set it to BTL.
- ➔ The protective device on the power amplifier has been activated because of a short circuit. Turn off the power amplifier, eliminate the short-circuit problem and turn on the power again.

### The left and right sounds are unbalanced or reversed.

- ➔ Check that the speakers and components are connected correctly and securely.
- ➔ Make sure all connections are made with the correct polarity (+ and -).
- ➔ Use the test tone feature on the control amplifier to make sure that sound is being emitted correctly from all speakers.

### Severe hum or noise is heard.

- ➔ Check that the speakers and components are connected securely.
- ➔ Check that the connecting cords are away from a transformer or motor, and at least 10 feet (3 meters) away from a TV set or fluorescent light.
- ➔ Move your TV away from the audio components.
- ➔ The plugs and jacks are dirty. Wipe them with a cloth slightly moistened with alcohol.

# Specifications

## AUDIO POWER SPECIFICATIONS

### POWER OUTPUT AND TOTAL HARMONIC DISTORTION:

With 8 ohm loads, both channels driven, from 20 - 20,000 Hz; rated 120 watts per channel minimum RMS power, with no more than 0.03% total harmonic distortion from 250 milliwatts to rated output (USA model only).

## Amplifier section

### POWER OUTPUT

#### NORMAL mode

(4/8 ohms 20 Hz ~ 20 kHz, THD 0.013%)

Front: 115 W + 115 W

Center: 115 W

Rear: 115 W + 115 W

#### BTL mode

(8 ohms 1 kHz, THD 0.013%)

Front: 200 W + 200 W

Center: 120 W

### Speaker Nominal Impedance:

Front, Rear, and Center:

4 to 16 ohms (NORMAL)

8 to 16 ohms (BTL)

### Input sensitivity

1 V  $\pm$ 1 dB

### Frequency response

20 Hz ~ 20 kHz  $\pm$ 0.2 dB (at 1 W)

10 Hz ~ 100 kHz +0 -3 dB (at 1 W)

### Inputs

Input Jack	Sensitivity	Impedance
REAR	1 V	45 kilohms
CENTER	1 V	45 kilohms
FRONT	1 V	45 kilohms
EXTRA 2ch	1 V	45 kilohms

## General

System Pure-complementary High Power Legato  
Linear SEPP

Power requirements  
120 V AC, 60Hz

Power consumption  
4.5 A

Dimensions  $17 \times 6 \frac{7}{8} \times 17 \frac{7}{8}$  in. ( $430 \times 173.5 \times 453$  mm)  
including projecting parts and controls

Mass (Approx.)  
52 lbs 15 oz (24 kg)

Supplied accessories  
Control A1 cable (1)

Design and specifications are subject to change without notice.





---

## **AVERTISSEMENT**

**Afin d'éviter tout risque d'incendie ou d'électrocution, ne pas exposer cet appareil à la pluie ou à l'humidité.**

**Afin d'éviter tout risque de choc électrique, ne pas ouvrir le coffret. Confier toute réparation à un technicien qualifié uniquement.**

**N'installez pas l'appareil dans un espace confiné comme dans une bibliothèque ou un meuble encastré.**


**ATTENTION:  
POUR PREVENIR LES CHOCS  
ELECTRIQUES, NE PAS UTILISER CETTE  
FICHE POLARISEE AVEC UN  
PROLONGATEUR, UNE PRISE DE  
COURANT OU UNE AUTRE SORTIE DE  
COURANT, SAUF SI LES LAMES  
PEUVENT ETRE INSEREES A FOND  
SANS EN LAISSER AUCUNE PARTIE A  
DECOUVERT.**

---

## Au sujet de ce mode d'emploi

Les instructions de ce mode d'emploi couvrent le modèle TA-N900ES. Vérifiez le numéro de votre modèle dans le coin inférieur droit du panneau avant.

### Conventions

- L'icône suivante est utilisée dans ce mode d'emploi:  
 Indique des conseils et suggestions pouvant faciliter certaines opérations.

---

# TABLE DES MATIÈRES

---

## Raccordement des appareils 4

- Déballage 4
- Raccordement ordinaire à un seul amplificateur 6
- Raccordement ordinaire à deux amplificateurs 7
- Si vous avez déjà un amplificateur stéréo intégré 8
- Utilisation de l'amplificateur de puissance avec un processeur de signal numérique 9
- Raccordement BTL à deux amplificateurs de puissance 10
- Raccordement CONTROL A1 11
- Raccordement au secteur 11

---

## Emplacement des éléments et opérations de base 12

- Description des éléments du panneau avant 12

---

## Informations complémentaires 14

- Précautions 14
- Guide de dépannage 15
- Spécifications (Dos)

FR

# Raccordement des appareils

Ce chapitre explique comment raccorder un amplificateur de contrôle TA-E9000ES Sony, des enceintes et d'autres appareils audio à l'amplificateur de puissance. Veuillez lire attentivement ce paragraphe avant de faire les liaisons.

## Déballage

Vérifiez si l'accessoire suivant se trouve dans l'emballage:

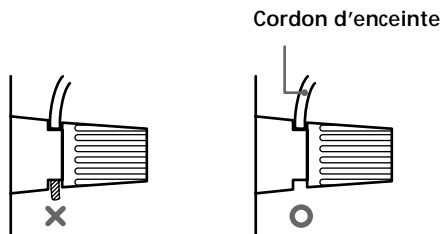
- Câble CONTROL A1 (1)

### Avant de commencer

- Mettez tous les appareils hors tension avant d'effectuer les liaisons.
- Ne raccordez les cordons d'alimentation secteur que lorsque toutes les liaisons sont terminées.
- Enfoncez les fiches à fond dans les prises pour éviter tout bourdonnement et bruit.
- Lors du raccordement d'un cordon audio, branchez les fiches sur les prises de même couleur: blanc (gauche) à blanc et rouge (droit) à rouge.
- Pour raccorder le canal central vous pouvez utiliser les fiches rouges ou blanches du cordon audio.

### Remarques sur le raccordement du système acoustique

- Torsadez chaque extrémité dénudée des cordons d'enceinte sur 10 mm environ.



Cet amplificateur a une puissance de sortie élevée. Vous risquez d'être blessé si vous touchez l'extrémité dénudée des cordons d'enceintes. Lorsque vous raccordez les enceintes, assurez-vous que les extrémités dénudées des cordons d'enceinte ne ressortent pas des bornes d'enceinte.

- Raccordez les enceintes avant et arrière droites aux bornes FRONT et REAR SPEAKERS "R", puis les enceintes avant et arrière gauches aux bornes FRONT et REAR SPEAKERS "L".  
Veillez à insérer les cordons d'enceinte dans les bornes correspondantes des appareils : + à + et - à -. Si les cordons sont inversés, le son présentera de la distorsion et le grave fera défaut.
- Si vous utilisez des enceintes avant d'une faible puissance nominale, réglez soigneusement le volume de l'amplificateur de contrôle pour éviter toute sortie de son excessive des enceintes qui risquerait d'endommager les haut-parleurs des enceintes.
- Pour obtenir une haute puissance de sortie avec des enceintes d'une impédance nominale supérieure à 8 ohms, reliez les enceintes par un raccordement BTL. Pour le raccordement BTL, reportez-vous à "Raccordement BTL à deux amplificateurs de puissance" à la page 10.
- Réglez le sélecteur SPEAKER IMPEDANCE sur le panneau arrière selon le type d'enceintes que vous raccordez. Voir "Sélection de l'impédance des enceintes" sur cette page pour les détails.
- Si vous utilisez un raccordement ordinaire (non BTL) pour relier les enceintes, veillez à régler le sélecteur OPERATION sur le panneau arrière de l'amplificateur de puissance sur la position "NORMAL". Si vous utilisez un raccordement BTL, réglez-le sur "BTL".

### Sélection de l'impédance des enceintes

Veillez à mettre le sélecteur SPEAKER IMPEDANCE à l'arrière de l'amplificateur de puissance en position haute pour un raccordement ordinaire à des enceintes de 4 à 8 ohms d'impédance nominale ou pour un raccordement BTL à des enceintes de 8 à 16 ohms d'impédance nominale.

Mettez le sélecteur SPEAKER IMPEDANCE sur le panneau arrière de l'amplificateur de puissance en position basse pour un raccordement ordinaire à des enceintes de plus de 8 ohms d'impédance nominale ou pour un raccordement BTL à des enceintes de plus de 16 ohms d'impédance nominale.

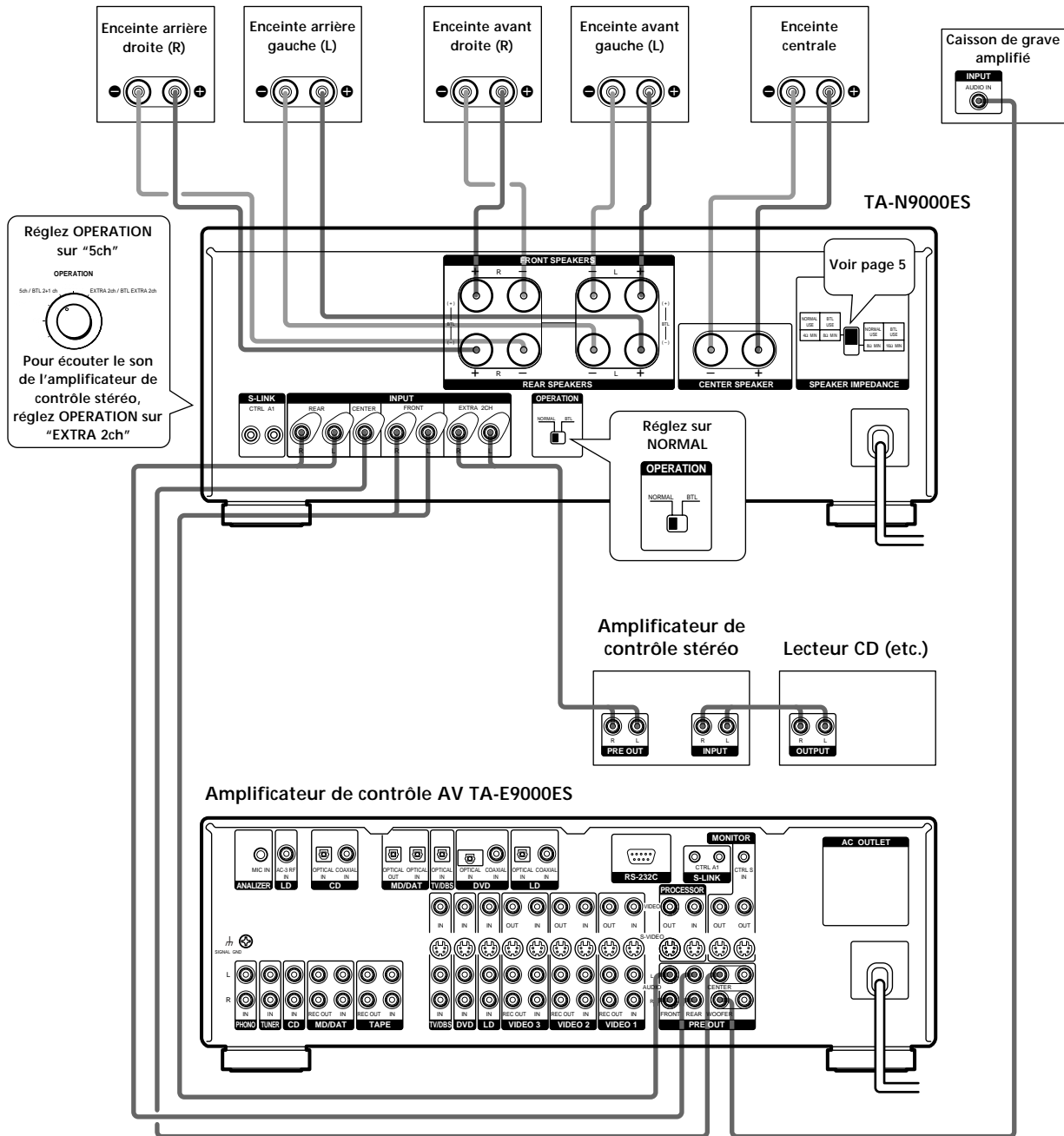
Lorsque le sélecteur est en position haute, la puissance de sortie de l'amplificateur de puissance est réduite.

#### Remarque

N'oubliez pas d'éteindre l'amplificateur de puissance avant de changer la position du sélecteur SPEAKER IMPEDANCE.

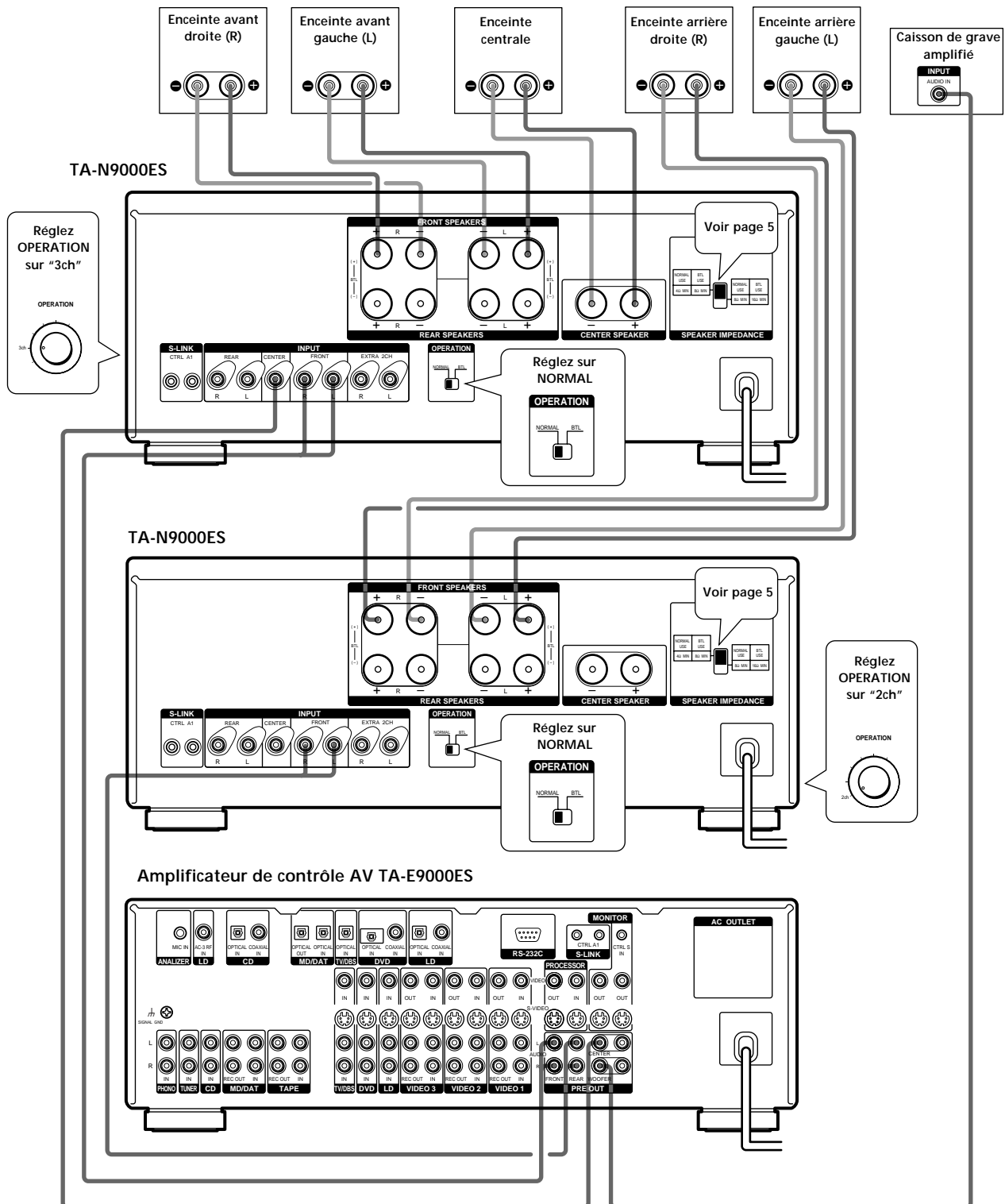
# Raccordement ordinaire à un seul amplificateur

Veillez à régler le sélecteur OPERATION sur le panneau arrière de l'amplificateur sur NORMAL.  
 Si vous avez un autre amplificateur à deux voies (stéréo) que vous aimeriez raccorder aux enceintes avant, raccordez-le aux prises EXTRA 2 CH INPUT.



# Raccordement ordinaire à deux amplificateurs

Utilisez un amplificateur de puissance pour les enceintes avant et centrale et un autre pour les enceintes arrière.  
 Veuillez à régler le sélecteur OPERATION sur le panneau arrière de l'amplificateur sur NORMAL.



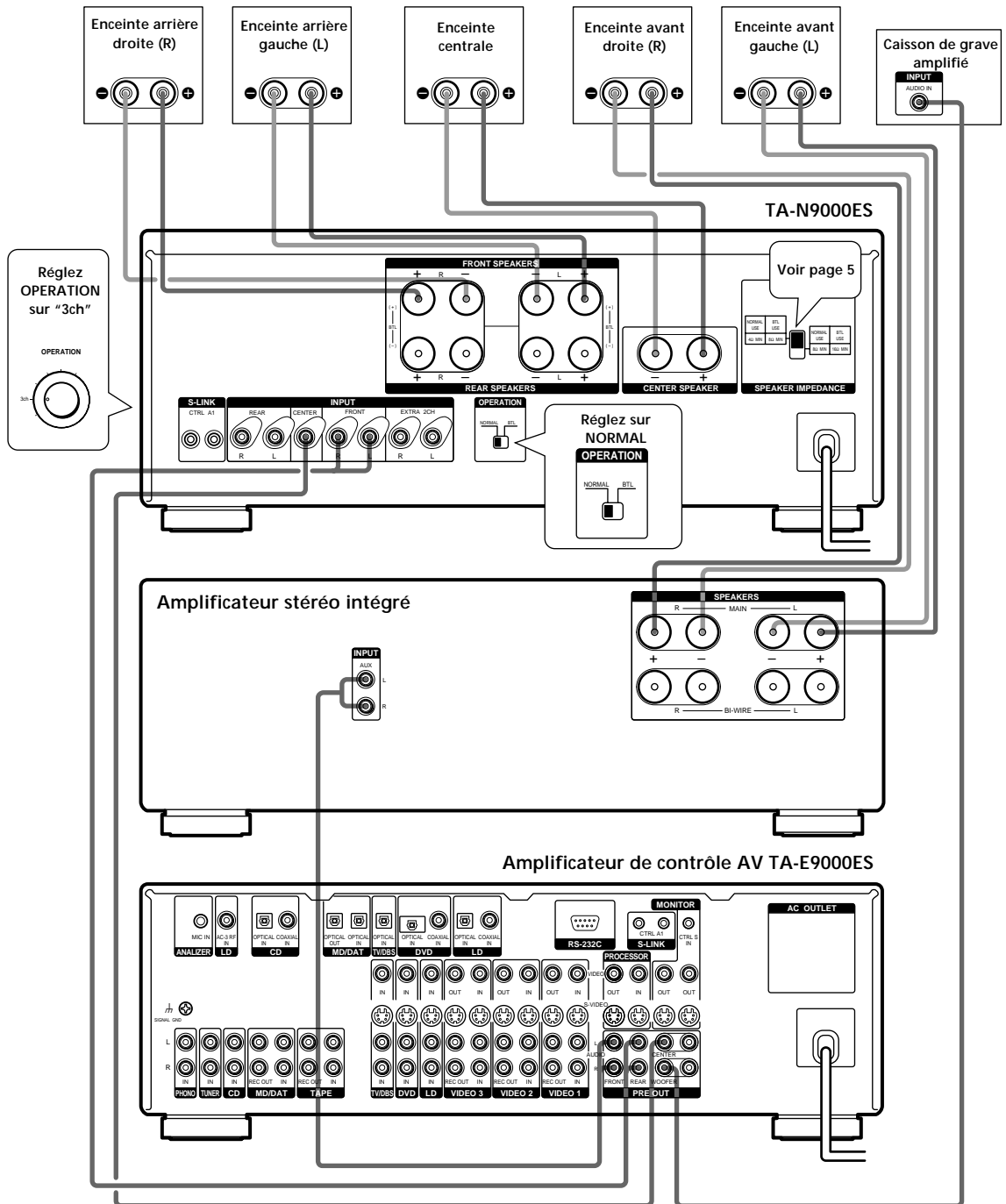
# Si vous avez déjà un amplificateur stéréo intégré

Effectuez les liaisons suivantes si vous voulez utiliser votre amplificateur stéréo intégré pour alimenter les enceintes avant et cet amplificateur pour alimenter les enceintes arrière et centrale.

Veillez à régler le sélecteur OPERATION sur le panneau arrière de l'amplificateur sur NORMAL.

**Remarque**

Réglez le volume de l'amplificateur stéréo intégré sur la position centrale (en gros, la position 12 heures). Le réglage du volume sur la position MAX peut entraîner du bruit.

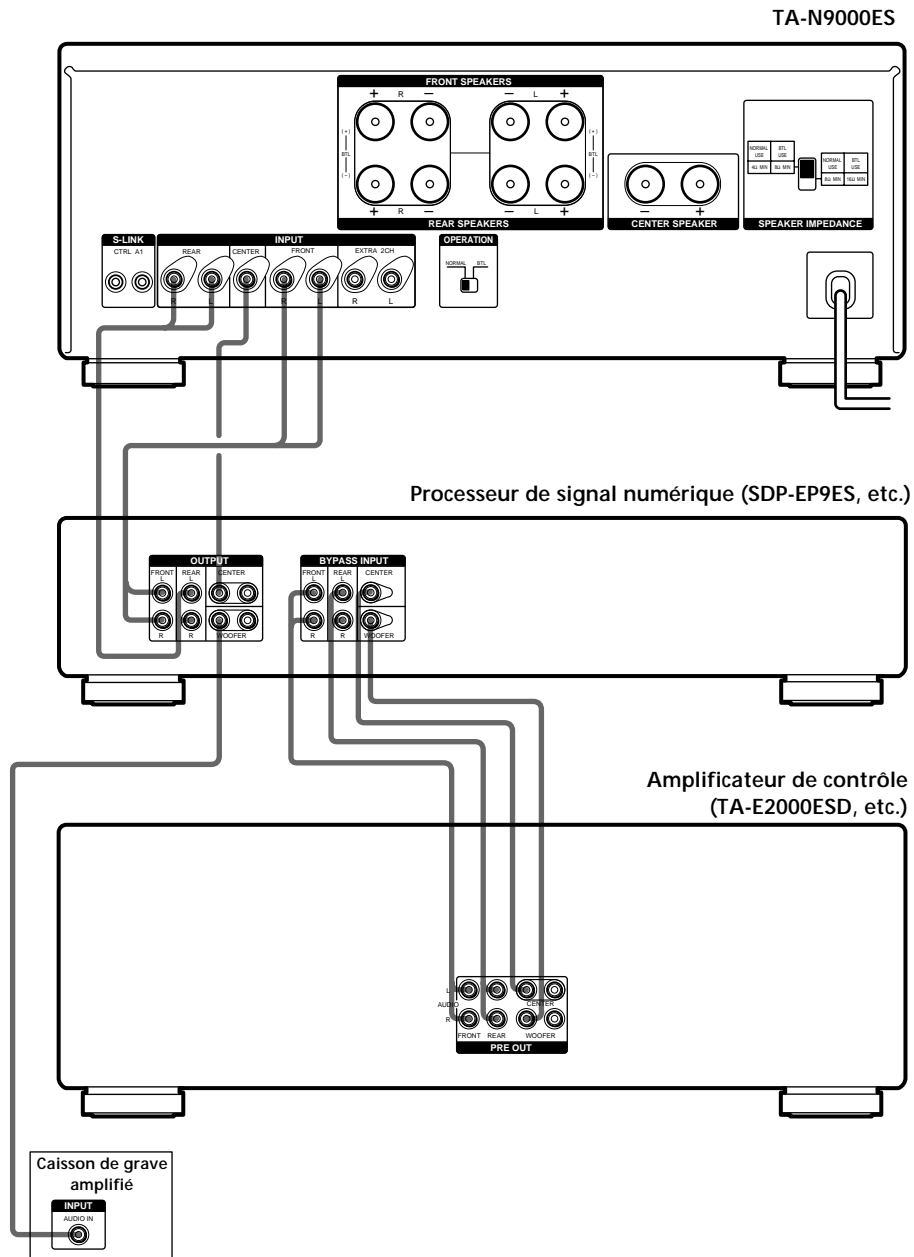




# Utilisation de l'amplificateur de puissance avec un processeur de signal numérique

Vous pouvez utiliser plus d'un amplificateur de puissance, si nécessaire.

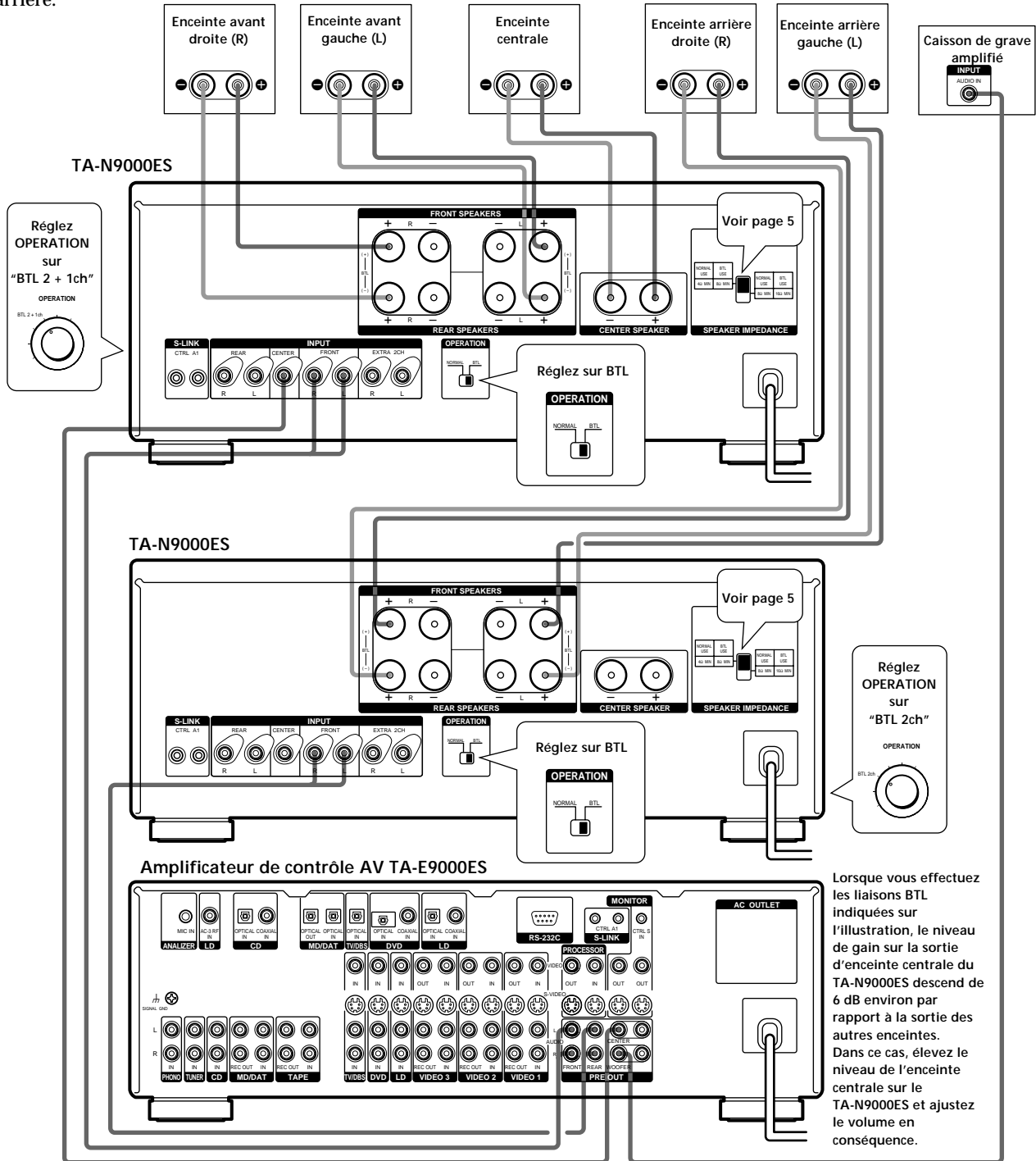
Pour les détails au sujet des liaisons d'enceintes, consultez les autres pages.



# Raccordement BTL à deux amplificateurs de puissance

Effectuez les liaisons suivantes pour obtenir une plus grande puissance que lors d'un raccordement ordinaire. Utilisez un amplificateur de puissance pour les enceintes avant et centrale et un autre pour les enceintes arrière. Effectuez le raccordement BTL pour les enceintes avant et arrière.

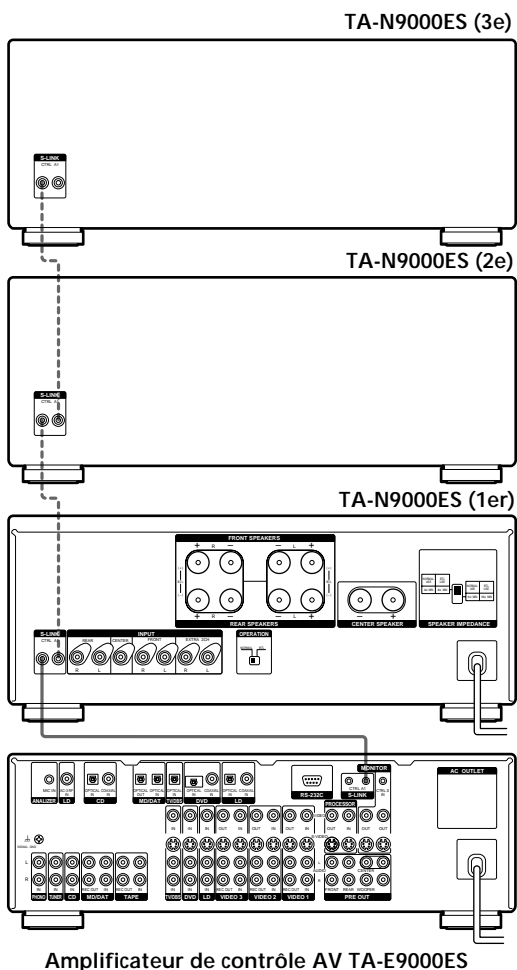
Veillez à régler le sélecteur OPERATION du panneau arrière sur la position BTL. Le sélecteur SPEAKER IMPEDANCE doit est mis en position haute.



💡 Si vous voulez aussi effectuer un raccordement BTL pour l'enceinte avant Utilisez trois amplificateurs de puissance. Effectuez un raccordement BTL entre l'enceinte centrale et le troisième amplificateur de puissance en utilisant un bornier FRONT SPEAKERS. Lorsque vous effectuez ces liaisons, vous devez aussi brancher une fiche de court-circuitage, en vente dans le commerce, aux autres bornes (inutilisées) FRONT SPEAKERS.

## Raccordement CONTROL A1

Utilisez un cordon CONTROL A1 (fourni) pour relier la prise S-LINK CTRL A1 de cet appareil à la prise S-LINK CTRL A1 de l'amplificateur de contrôle AV TA-E9000ES. Lorsque l'amplificateur de contrôle AV TA-E9000ES sera mis en veille, cet appareil le sera aussi. Si vous utilisez plus d'un amplificateur de puissance TA-N9000ES, reliez-les en série avec d'autres cordons CONTROL A1. Reportez-vous au mode d'emploi fourni avec l'amplificateur de contrôle AV TA-E9000ES pour les détails.



## Raccordement au secteur

Avant de raccorder le cordon d'alimentation secteur de cet amplificateur à une prise murale:

- Raccordez les enceintes.

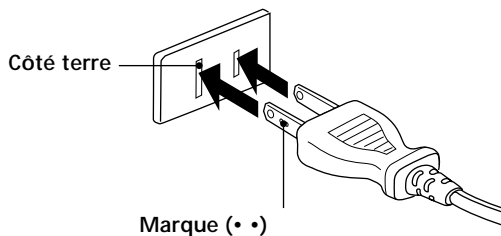
Raccordez le cordon d'alimentation secteur de cet appareil à une prise murale:

### Remarque

Nous vous conseillons de raccorder l'appareil directement à une prise murale. Si vous devez utiliser une prise multifiches ou un cordon de prolongation, veillez à ce qu'il soit adapté à un courant élevé (au moins 10 A) ou conçu pour les bureaux.

### A propos du cordon d'alimentation

La lame de terre de la fiche de cet appareil porte la marque (• •) pour indiquer la polarité du raccordement au secteur. Pour obtenir un son de haute qualité musicale la polarité doit être respectée. Insérez la lame portant cette marque dans l'orifice le plus grand de la prise (côté terre).



# Emplacement des éléments et opérations de base

Ce chapitre vous indique l'emplacement et la fonction de chaque touche et commande du panneau avant.

---

## Description des éléments du panneau avant

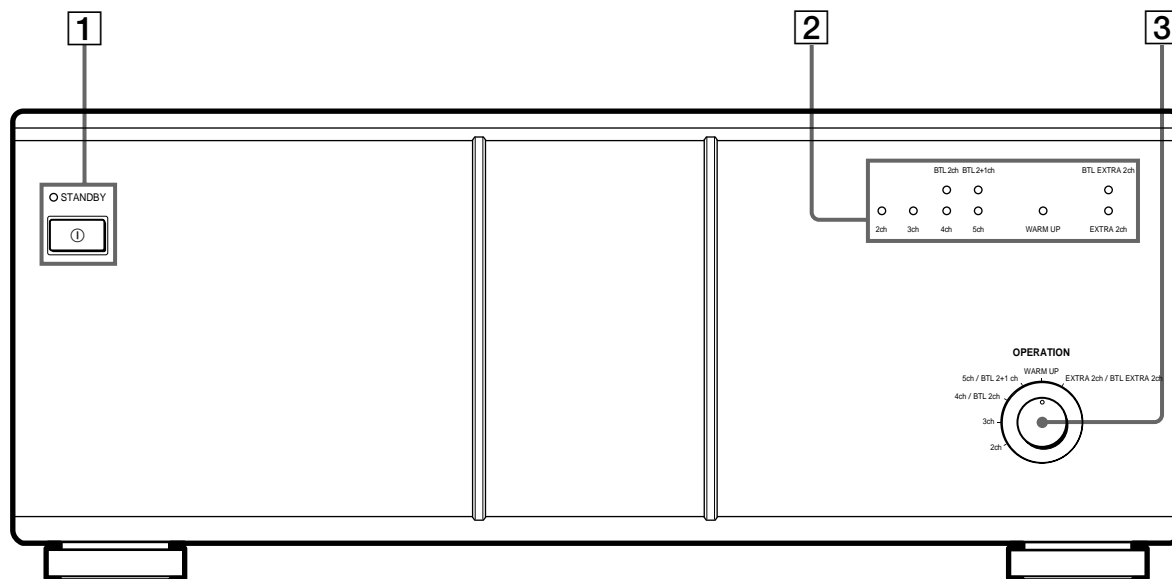
### 1 Commutateur ①

Sert à mettre l'amplificateur sous et hors tension.

#### Témoin STANDBY (veille)

Clignote momentanément lorsque vous appuyez sur ① pour mettre l'amplificateur sous tension et s'éteint pour indiquer que l'appareil est prêt.

Si vous reliez l'amplificateur de puissance et l'amplificateur de contrôle AV TA-E9000ES par un raccordement CONTROL A1, le témoin s'allumera en rouge lorsque l'amplificateur de contrôle se mettra en mode de veille.



## 2 Témoins de fonctionnement

S'allument pour indiquer le mode de fonctionnement sélectionné avec la commande OPERATION.  
Clignotent si vous sélectionnez un mode qui ne peut pas être utilisé.

## 3 Sélecteur OPERATION

Sert à sélectionner les canaux que vous voulez utiliser.

Lorsque le sélecteur OPERATION sur le panneau arrière est réglé sur NORMAL

Position	Canaux de sortie
2ch	FRONT (L/R)
3ch	FRONT (L/R) + CENTER
4ch	FRONT (L/R) + REAR (L/R)
5ch	FRONT (L/R) + CENTER + REAR (L/R)
EXTRA 2ch	Les signaux transmis aux prises EXTRA 2 ch INPUT sont fournis par les enceintes FRONT (L/R).

Lorsque le sélecteur OPERATION sur le panneau arrière est réglé sur BTL

Position	Canaux de sortie
BTL 2ch	Les signaux transmis aux prises FRONT ou REAR INPUT sont fournis par les liaisons d'enceintes FRONT (L/R) BTL.
BTL 2ch + 1ch*	Les signaux transmis aux prises FRONT ou REAR INPUT sont fournis par les liaisons d'enceintes FRONT (L/R) BTL. Les signaux transmis aux prises CENTER INPUT sont fournis par les prises CENTER SPEAKER.
BTL EXTRA 2ch	Les signaux transmis aux prises EXTRA 2ch INPUT sont fournis par les liaisons d'enceintes FRONT (L/R) BTL.

### WARM UP (Préchauffage)

Mettez OPERATION dans cette position (au lieu d'éteindre l'amplificateur) pour que le circuit reste chaud lorsque vous n'utilisez pas l'amplificateur de puissance. Vous obtiendrez immédiatement un son d'une excellente qualité la prochaine que vous utiliserez l'amplificateur de puissance.  
Le mode de préchauffage fonctionne de même pour l'exploitation NORMAL et BTL.

\* Si OPERATION est à cette position et une enceinte centrale raccordée, le niveau de gain de l'enceinte centrale descendra de 6 dB environ. Dans ce cas, élevez le niveau de l'enceinte centrale sur l'amplificateur de commande AV (TA-E9000ES, etc.) raccordé à cet amplificateur et ajustez le volume en conséquence.

# Informations complémentaires

## Précautions

### Sécurité

Si un solide ou un liquide pénètre dans le coffret, débranchez l'amplificateur de puissance et faites-le vérifier par un professionnel avant de le remettre en service.

### Sources d'alimentation

- Avant de mettre l'amplificateur de puissance en service, vérifiez que sa tension de fonctionnement correspond à celle du courant secteur local. La tension de fonctionnement est indiquée sur la plaque signalétique à l'arrière de l'amplificateur.
- Si vous ne comptez pas utiliser l'amplificateur de puissance pendant un certain temps, débranchez-le de la prise murale. Pour débrancher le cordon, tirez sur la fiche. Ne jamais tirer sur le cordon proprement dit.
- Le cordon d'alimentation doit être changé par un professionnel.

### Installation

- Installez l'amplificateur de puissance dans un endroit bien ventilé pour éviter tout risque de surchauffe interne et prolonger sa durée de vie.
- N'installez pas l'amplificateur de puissance près d'une source de chaleur, dans un endroit exposé aux rayons de soleil, à la poussière ou à des chocs mécaniques.
- Ne posez rien sur le coffret qui puisse bloquer les orifices de ventilation et provoquer un mauvais fonctionnement.
- N'installez pas l'amplificateur de puissance:
  - sur une surface instable ou inclinée.
  - sur un tapis ou une couverture.
  - dans un endroit extrêmement froid.
  - près d'un téléviseur ou d'une platine vidéo. (S'il est utilisé près d'un téléviseur ou d'une platine vidéo, du bruit pourra perturber les signaux audio et/ou vidéo. La probabilité de telles interférences augmentent énormément si vous utilisez une antenne de télévision intérieure. Il est conseillé de toujours utiliser une antenne de télévision extérieure.)
- Bien que cet amplificateur de puissance ait été conçu de manière rationnelle pour 5 canaux, il émet une grande quantité de chaleur. Ne posez rien sur l'amplificateur, et si vous utilisez plusieurs de ces appareils pour obtenir une plus grande puissance, ne les empilez pas directement l'un sur l'autre. Installez chaque amplificateur sur une étagère (ou rack) différente ou côte à côte à l'horizontale.

### Emission de chaleur

Cet amplificateur devient très chaud quand il est en service. Il ne s'agit pas d'un dysfonctionnement. Le haut, les côtés et l'arrière du coffret deviennent très chauds, surtout à volume élevé. Afin d'éviter tout risque de brûlure ou d'incendie, ne touchez pas le coffret quand il est chaud.

N'utilisez pas cet appareil dans un meuble fermé. Installez-le dans un endroit bien ventilé pour éviter une surchauffe excessive de l'appareil.

### Fonctionnement

Avant de raccorder d'autres appareils, n'oubliez pas d'éteindre et de débrancher l'amplificateur de puissance.

### Nettoyage

Nettoyez le coffret, le panneau et les commandes avec un chiffon doux légèrement imprégné d'une solution détergente douce. N'utilisez pas de tampon abrasif, poudre à récurer ni solvant, comme l'alcool ou la benzine.

Pour toute question ou difficulté concernant l'amplificateur de puissance, consultez votre revendeur Sony.

## Guide de dépannage

Si vous rencontrez un des problèmes suivants lorsque vous utilisez l'amplificateur de puissance, reportez-vous à ce guide de dépannage pour essayer de le résoudre. Si vous n'y parvenez pas, consultez votre revendeur Sony.

### Pas de son ou son extrêmement faible.

- ➔ Vérifiez si les enceintes et les appareils sont raccordés correctement.
- ➔ Vérifiez si les fiches sont bien branchées sur les prises.
- ➔ Vérifiez si vous avez sélectionné le bon appareil sur l'amplificateur de contrôle.
- ➔ Vérifiez si le sélecteur SPEAKER IMPEDANCE est réglé correctement.
- ➔ Lors du raccordement normal, assurez-vous que le sélecteur OPERATION sur le panneau arrière est réglé sur NORMAL. Lors du raccordement BTL, réglez-le sur BTL.
- ➔ Le dispositif de protection de l'amplificateur de puissance s'est déclenché à cause d'un court-circuit. Mettez l'amplificateur de puissance hors tension, éliminez la cause du court-circuit, puis remettez l'amplificateur sous tension.

### Les sons des voies gauche et droite sont déséquilibrés ou inversés.

- ➔ Vérifiez si les enceintes et les appareils sont raccordés correctement.
- ➔ Assurez-vous que la polarité des connexions est correcte (+ et -).
- ➔ Utilisez le signal de test de l'amplificateur de contrôle pour vous assurer que toutes les enceintes émettent le son correctement.

### Bourdonnement ou parasites importants.

- ➔ Vérifiez si les enceintes et les appareils sont raccordés correctement.
- ➔ Assurez-vous que les cordons de liaison ne sont pas à proximité d'un transformateur ou d'un moteur et qu'ils se trouvent à au moins 3 mètres (10 pieds) d'un téléviseur ou d'une lampe fluorescente.
- ➔ Eloignez le téléviseur des appareils audio.
- ➔ Les fiches et les prises sont sales. Essayez-les avec un chiffon légèrement imprégné d'alcool.

# Spécifications

## Section Amplificateur

### PUISSANCE DE SORTIE

#### Mode NORMAL

(4/8 ohms 20 Hz ~ 20 kHz, DHT 0,013 %)

Avant: 115 W + 115 W

Centre: 115 W

Arrière: 115 W + 115 W

#### Mode BTL

(8 ohms 1 kHz, DHT 0,013 %)

Avant: 200 W + 200 W

Centre: 200 W

#### Impédance nominale des enceintes

Avant, arrière et centre:

4 à 16 ohms (NORMAL)

8 à 16 ohms (BTL)

#### Sensibilité d'entrée

1 V  $\pm$ 1 dB

#### Réponse en fréquence

20 Hz ~ 20 kHz  $\pm$ 0,2 dB (à 1 W)

10 Hz ~ 100 kHz +0 -3 dB (à 1 W)

#### Entrées

Prise d'entrée	Sensibilité	Impédance
REAR	1 V	45 kilohms
CENTER	1 V	45 kilohms
FRONT	1 V	45 kilohms
EXTRA 2ch	1 V	45 kilohms

## Généralités

Système SEPP Linéaire legato haute puissance  
purement complémentaire

#### Alimentation

120 V CA, 60 Hz

#### Consommation

4,5 A

#### Dimensions

430 x 173,5 x 453 mm  
saillies et commandes comprises

#### Poids (Env.)

24 kg

#### Accessoires fournis

Câble CONTROL A1 (1)

La conception et les spécifications peuvent être modifiées  
sans préavis.