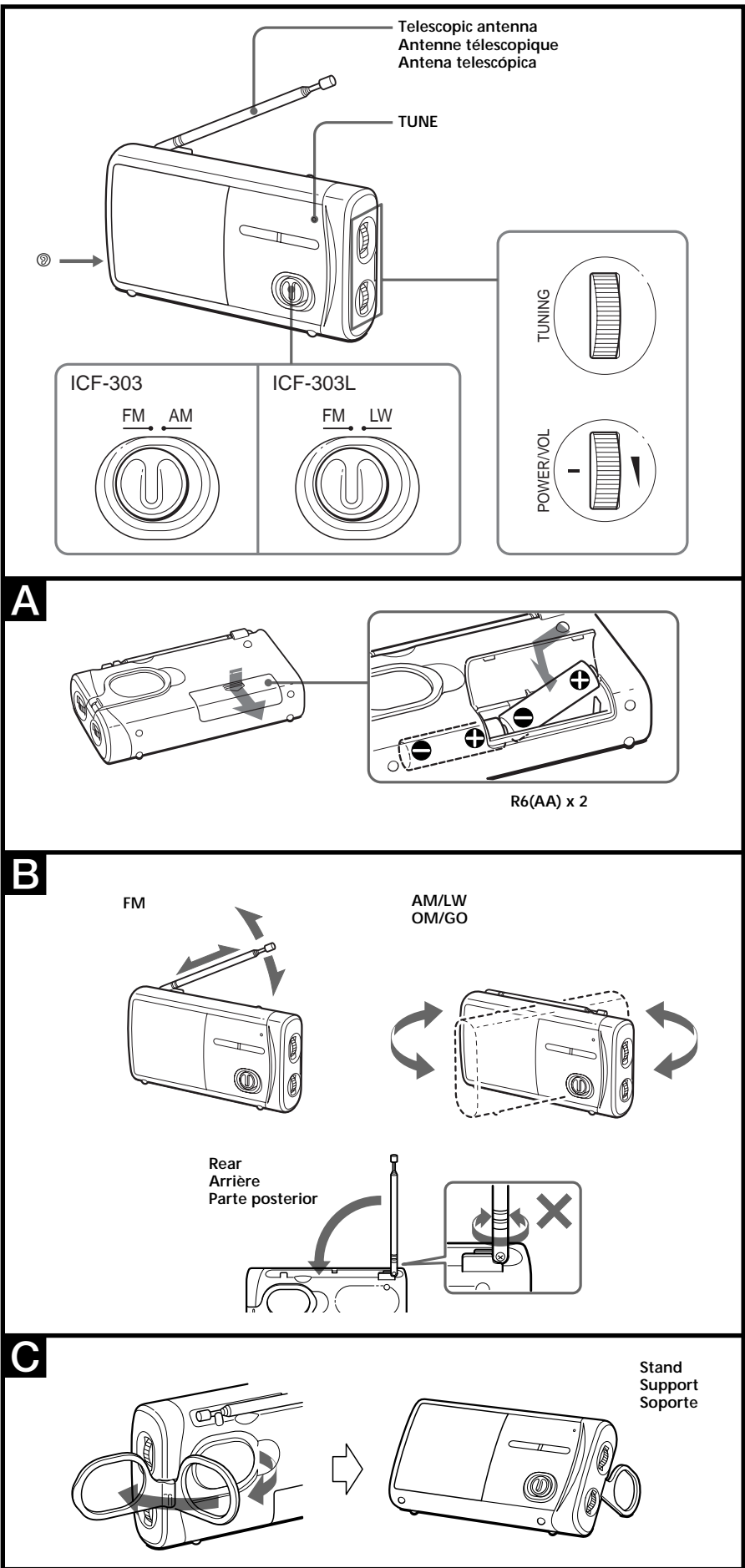


FM/AM Radio ICF-303 FM/LW Radio ICF-303L

Operating Instructions
Mode d'emploi
Manual de instrucciones
Xxxxx (Xxxx)
Xxxxx (Xxxx)
Xxxxx (Xxxx)

Sony Corporation © 1999 Printed in China

Sony **on**line
http://www.world.sony.com/



English

Before You Begin

Thank you for choosing the Sony FM/AM or FM/LW 2 Band Radio! This unit will give you many hours of reliable service and listening pleasure. Before operating the unit, please read these instructions thoroughly and retain them for future reference.

Features

- Compact radio
- TUNE indicator for easy tuning

Installing the Batteries (See fig. A)

- 1 Open the battery compartment lid.
- 2 Insert two R6 (size AA) batteries (not supplied) with correct polarity.
- 3 Close the lid.

Battery life

Using Sony batteries R6 (size AA) :
Approx. 35 hours
Using Sony alkaline batteries LR6 (size AA):
Approx. 95 hours

Replacing batteries

When the sound becomes weak or distorted, replace all batteries with new ones.

Notes on batteries

- Do not charge the dry batteries.
- Do not carry the dry batteries with coins or other metallic objects. It can generate heat if the positive and negative terminals of the batteries are accidentally contacted by a metallic object.
- When you are not going to use the unit for a long time, remove the batteries to avoid damage from battery leakage and corrosion.

Operating the Radio

- 1 Turn up POWER/VOL to turn power on and adjust the volume.
- 2 Select a desired band.
- 3 Tune in to a station using TUNING. The TUNE indicator lights up when a station is tuned in.

To turn off the radio

Turn down POWER/VOL completely until a click is heard.

To listen with an earphone

Connect the earphone to the Ⓞ (earphone) jack. The speaker is deactivated when an earphone is connected.

To improve reception (See fig. B)

FM: Extend the telescopic antenna and adjust the angle for optimum reception.
AM/LW: Rotate the unit horizontally for optimum reception. A ferrite bar antenna is built into the unit.

Note

Do not rotate the telescopic antenna.

To use the stand (See fig. C)

- To use the stand as support for the unit, unfold the stand half-way.
- The stand can also be used as a handle to carry the unit. For this purpose, unfold the stand completely.

Precautions

- Operate the unit only on 3 V DC with two R6 (size AA) batteries.
- Do not leave the unit in a location near heat sources, or in a place subject to direct sunlight, sand, excessive dust, or mechanical shock.
- Should any solid object or liquid fall into the unit, remove the batteries and have the unit checked by qualified personnel before operating it any further.
- Since a strong magnet is used for the speaker, keep personal credit cards, etc., using magnetic coding away from the unit.
- When the casing becomes soiled, clean it with a soft cloth dampened with mild detergent solution. Never use abrasive cleansers or chemical solvents, as they may mar the casing.
- In vehicles or in buildings, radio reception may be difficult or noisy. Try listening near a window.

If you have any questions or problems concerning your unit, please consult your nearest Sony dealer.

Specifications

Frequency range:	
Model for Central and Eastern Europe	
Band	ICF-303
FM	65-108 MHz
AM	530-1605 kHz

Model for Italy	
Band	ICF-303
FM	87.5-108 MHz
AM	526.5-1606.5 kHz

Model for other countries		
Band	ICF-303	ICF-303L
FM	87.5-108 MHz	87.5-108 MHz
AM	530-1605 kHz	—
LW	—	153-255 kHz

Speaker

Approx. 6.6 cm (2 5/8 inches) dia., 8 Ω

Output

Ⓞ (earphone) jack (mini)jack

Power output

100 mW (at 10 % harmonic distortion)

Power requirements

3V DC, two R6 (size AA) batteries

3V DC, two LR6 (size AA) batteries

Dimensions

Approx. 156.9 × 82.5 × 41.1 mm (w/h/d) (6 1/4 × 3 1/4 × 1 5/8 inches) incl. projecting parts and controls

Mass

Approx. 309.5 g (10.9 oz) incl. batteries

Design and specifications are subject to change without notice.

Français

Avant de commencer...

Nous vous remercions d'avoir fait l'acquisition de cette radio Sony à 2 bandes FM/OM ou FM/GO ! Cet appareil vous assurera de nombreuses heures de plaisir d'écoute et de service fiable. Avant de faire fonctionner cet appareil, veuillez lire attentivement les présentes instructions et conservez-les ensuite pour toute référence ultérieure.

Caractéristiques

- Radio compacte
- Indicateur TUNE pour simplifier la syntonisation

Installation des piles (voir fig. A)

- 1 Ouvrez le couvercle du compartiment à piles.
- 2 Introduisez deux piles (AA) (non fournies) en respectant la polarité.
- 3 Refermez le couvercle.

Autonomie des piles

Avec des piles Sony R6 (AA) :

Approx. 35 heures

Avec des piles Sony LR6 (AA) :

Approx. 95 heures

Remplacement des piles

Lorsque le son faiblit ou comporte des distorsions, remplacez les piles.

Remarques sur les piles

- Ne pas recharger une pile sèche.
- Ne pas porter de pile sèche avec des pièces de monnaie ou d'autres objets métalliques. Le contact des bornes positive et négative avec un objet métallique peut générer de la chaleur.
- Pour éviter tout dommage dû à une fuite de l'électrolyte des piles et à la corrosion, enlevez les piles si vous prévoyez de ne pas utiliser l'appareil pendant longtemps.

Fonctionnement de la Radio

- 1 Tournez POWER/VOL pour mettre la radio sous tension et régler le volume.
- 2 Sélectionnez une bande de fréquence.
- 3 Syntonisez une station avec TUNING. TUNE s'allume dès qu'une station est syntonisée.

Pour mettre la radio hors tension

Tournez la commande POWER/VOL complètement vers le bas jusqu'à ce que vous entendiez un déclic.

Pour écouter avec des écouteurs

Raccordez des écouteurs à la prise Ⓞ (écouteurs). Le haut-parleur est désactivé lorsque vous branchez des écouteurs.

Pour améliorer la qualité de réception (voir fig. B)

FM : Déployez l'antenne télescopique et orientez-la de façon à obtenir la meilleure qualité de réception.

OM/GO : Faites pivoter l'appareil horizontalement pour une réception optimale. Une antenne tige en ferrite est intégrée dans l'appareil.

Remarque

Ne faites pas pivoter l'antenne télescopique.

Utilisation du support (voir fig. C)

- Pour utiliser le support pour soutenir l'appareil, dépliez-le à moitié.
- Le support peut également être utilisé comme une poignée pour transporter l'appareil. Pour cela, dépliez complètement le support.

Précautions

- Faites uniquement fonctionner l'appareil sur une tension de 3 V CC avec deux piles R6 (AA).
- Ne laissez pas l'appareil à proximité de sources de chaleur ou à un endroit soumis au rayonnement direct du soleil, à du sable, de la poussière en excès ou à des chocs mécaniques.
- Si un liquide ou un solide venait à pénétrer à l'intérieur du boîtier, retirez les piles puis faites contrôler l'appareil par le personnel qualifié avant de continuer à l'utiliser.
- Etant donné que le haut-parleur intègre un puissant aimant, gardez les cartes de crédit, etc., utilisant un code magnétique à l'écart de l'appareil.
- Si le boîtier est souillé, nettoyez-le à l'aide d'un chiffon doux légèrement imprégné d'une solution détergente neutre. N'utilisez en aucun cas de nettoyeurs abrasifs ou de solvants chimiques, car vous risquez sinon de ternir le fini du boîtier.
- La réception radio peut s'avérer difficile dans les véhicules et les bâtiments. Dans ce cas, placez-vous à côté d'une fenêtre.

Si vous avez des questions ou des problèmes concernant votre appareil, consultez votre revendeur Sony.

Spécifications

Plage de fréquence :	
Modèle pour l'Europe centrale et orientale	
Bande	ICF-303
FM	65-108 MHz
OM	530-1605 kHz

Modèle pour l'Italie	
Bande	ICF-303
FM	87.5-108 MHz
OM	526.5-1606.5 kHz

Modèle pour les autres pays		
Bande	ICF-303	ICF-303L
FM	87.5-108 MHz	87.5-108 MHz
OM	530-1605 kHz	—
GO	—	153-255 kHz

Haut-parleur

Approx. 6.6 cm (2 5/8 pouces) diam., 8 Ω

Sortie

Prise Ⓞ (écouteurs) (mini)prise

Puissance de sortie

100 mW (à 10 % de distorsion harmonique)

Alimentation

3 V CC, deux piles R6 (AA)

3 V CC, deux piles LR6 (AA)

Dimensions

Approx. 156,9 x 82,5 x 41,1 mm (l/h/p) (6 1/4 x 3 1/4 x 1 5/8 pouces), parties saillantes et commandes comprises

Masse

Approx. 309,5 g (10,9 oz), piles comprises

La conception et les spécifications sont sujettes à modifications sans préavis.

Español

Antes de comenzar

¡Gracias por elegir la radio de 2 bandas de FM/AM o de FM/LW Sony! Esta unidad le proporcionará muchas horas de servicio fiable y buena recepción.

Antes de emplear la unidad, lea estas instrucciones atentamente y consérvelas para consultarlas en el futuro.

Características

- Radio compacta
- Indicador de sintonización TUNE para sintonizar fácilmente

Instalación de las pilas (Consulte la ilustración A)

- 1 Abra la tapa del compartimiento de las pilas.
- 2 Inserte dos pilas R6 (tamaño AA) (no suministradas) con la polaridad correcta.
- 3 Cierre la tapa.

Duración de las pilas

Con pilas Sony R6 (tamaño AA):

Approx. 35 horas

Con pilas Sony alcalinas LR6 (tamaño AA):

Approx. 95 horas

Sustitución de las pilas

Cuando el sonido se oiga débilmente o se distorsiona, sustituya todas las pilas por otras nuevas.

Notas sobre las pilas

- No cargue las pilas secas.
- No transporte las pilas con monedas ni otros objetos metálicos. Si cortocircuitase accidentalmente los terminales positivo y negativo de las pilas con un objeto metálico, podría producirse calor.
- Cuando no vaya a utilizar la unidad durante mucho tiempo, extráigale las pilas para evitar que los daños que podría causar su electrolito en caso de fugarse.

Empleo de la Radio

- 1 Gire POWER/VOL hacia arriba para activar la alimentación y ajuste el volumen.
- 2 Seleccione la banda que desee.
- 3 Sintonicé la emisora con TUNING. El indicador TUNE se ilumina al sintonizarse alguna emisora.

Para apagar la radio

Gire POWER/VOL hacia abajo por completo hasta que oiga un clic.

Para escuchar con auriculare

Conecte el auriculare a la toma Ⓞ (auriculare). El altavoz se desactiva cuando el auriculare está conectado.

Para mejorar la recepción (Consulte la ilustración B)

FM: Extienda la antena telescópica y ajuste el ángulo para obtener una recepción óptima.
AM/LW: Gire la unidad horizontalmente para obtener una recepción óptima. La unidad dispone de una antena de barra de ferrita incorporada.

Nota

No gire la antena telescópica.

Para emplear el soporte (Consulte la ilustración C)

- Para utilizar el soporte con la unidad, despliegue dicho soporte hasta la mitad.
- El soporte puede utilizarse también como asa para transportar la unidad. Para ello, despliegue el mismo por completo.

Precauciones

- Alimente la unidad solamente con 3 V CC mediante dos pilas R6 (tamaño AA).
- No deje la unidad en un lugar próximo a fuentes de calor, ni en lugares sujetos a la luz solar directa, arena, polvo excesivo o golpes mecánicos.
- Si se introduce algún objeto sólido o líquido en la unidad, extraiga las pilas y haga que sea revisada por personal especializado antes de emplearla de nuevo.
- Puesto que el altavoz emplea un imán potente, mantenga las tarjetas personales de crédito, etc., que utilicen codificación magnética alejadas de la unidad.
- Si el exterior se ensucia, límpielo con un paño suave humedecido con una solución detergente poco concentrada. No utilice nunca limpiadores abrasivos ni disolventes químicos, ya que pueden dañar el acabado.
- En vehículos o edificios, la recepción de radio puede resultar difícil de oír o recibirse con ruido. Escuche el sonido cerca de una ventana.

Si desea realizar consultas o solucionar algún problema en relación con la unidad, consulte con el proveedor Sony más próximo.

Especificaciones

Margen de frecuencias:

Modelo para Europa Central y del Este	
Banda	ICF-303
FM	65-108 MHz
AM	530-1605 kHz

Modelo para Italia

Banda	ICF-303
FM	87.5-108 MHz
AM	526.5-1606.5 kHz

Modelo para otros países

Banda	ICF-303	ICF-303L
FM	87.5-108 MHz	87.5-108 MHz
AM	530-1605 kHz	—
LW	—	153-255 kHz

Altavoz

Approx. 6,6 cm de diámetro, 8 Ω

Salida

Toma Ⓞ (auriculare) (minitoma)

Salida de potencia

100 mW (al 10 % de distorsión armónica)

Requisitos de alimentación

3V CC, dos pilas R6 (tamaño AA)

3V CC, dos pilas LR6 (tamaño AA)

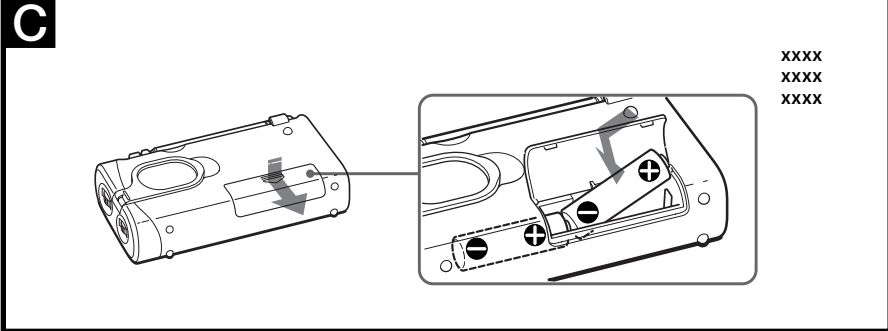
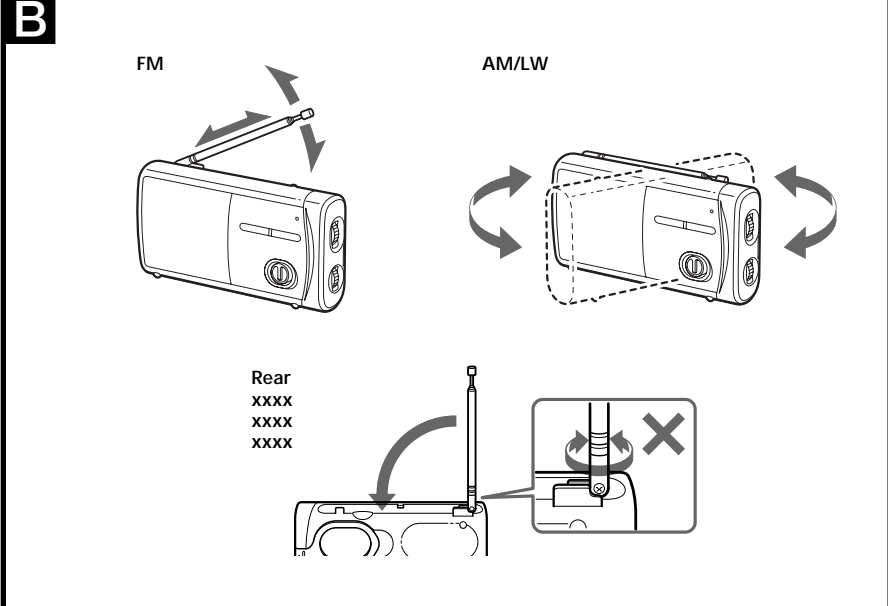
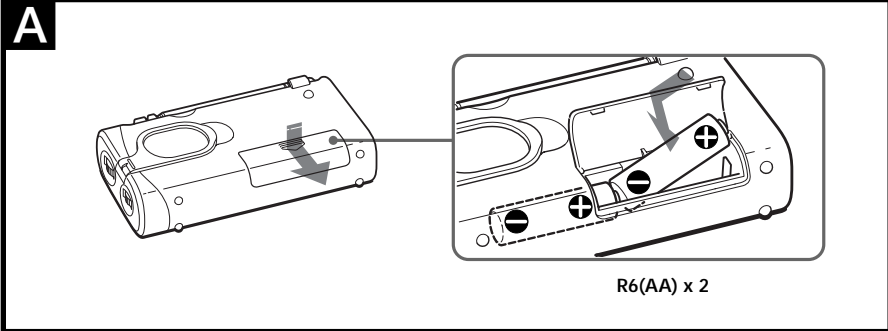
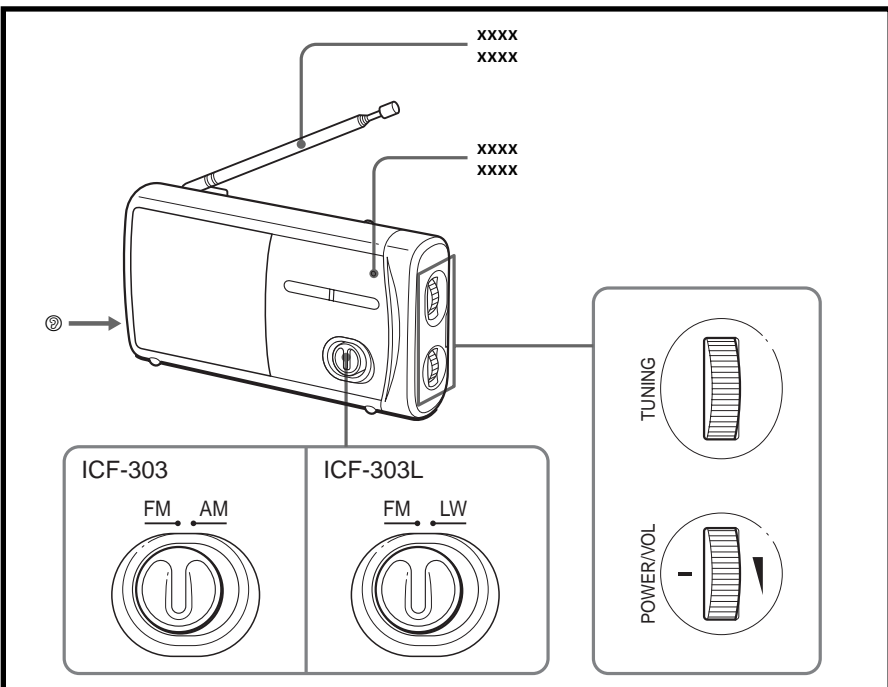
Dimensiones

Approx. 156,9 x 82,5 x 41,1 mm (an/al/prf), partes y controles salientes incluidos

Peso

Approx. 309,5 g, pilas incluidas

Diseño y especificaciones sujetos a cambios sin previo aviso.



XXXX

Before You Begin

Thank you for choosing the Sony FM/AM or FM/LW 2 Band Radio! This unit will give you many hours of reliable service and listening pleasure. Before operating the unit, please read these instructions thoroughly and retain them for future reference.

The instructions here are for models ICF-303 and ICF-303L. Their difference is shown below:

Model Number	ICF-303	ICF-303L
Band	FM/AM	FM/LW

Features

- Compact radio
- TUNE indicator for easy tuning

Installing the Batteries (See fig. A)

- 1 Open the battery compartment lid.
- 2 Insert two R6 (size AA) batteries (not supplied) with correct polarity.
- 3 Close the lid.

Battery life

Using Sony batteries R6 (size AA) :

Approx. XX hours

Using Sony alkaline batteries LR6 (size AA):

Approx. XX hours

Replacing batteries

When the sound becomes weak or distorted, replace all batteries with new ones.

Notes on batteries

- Insert the batteries with correct polarity.
- Do not charge the dry batteries.
- Do not use different types of batteries at the same time.
- When you replace the batteries, replace all with new ones.
- When the unit is not being used for a long period of time, remove the batteries to avoid damage from battery leakage and corrosion.
- If a battery leakage occurs, wipe the battery compartment with a soft cloth before inserting new ones.

Operating the Radio

- 1 Turn up POWER/VOL to turn power on and adjust the volume.
- 2 Select a desired band.
- 3 Tune in to a station using TUNING. The TUNE indicator lights up when a station is tuned in.

To turn off the radio

Turn down POWER/VOL completely until a click is heard.

To listen with an earphone

Connect the earphone to the Ⓞ (earphone) jack. The speaker is deactivated when an earphone is connected.

To improve reception (See fig. B)

FM: Extend the telescopic antenna and adjust the angle for optimum reception.

AM/LW: Rotate the unit horizontally for optimum reception. A ferrite bar antenna is built into the unit.

To use the stand (See fig. C)

- To use the stand as support for the unit, unfold the stand half-way.
- The stand can also be used as a handle to carry the unit. For this purpose, unfold the stand completely.

Precautions

- Operate the unit only on 3 V DC with two R6 (size AA) batteries.
- Do not leave the unit in a location near heat sources, or in a place subject to direct sunlight, sand, excessive dust, or mechanical shock.
- Should any solid object or liquid fall into the unit, remove the batteries and have the unit checked by qualified personnel before operating it any further.
- Since a strong magnet is used for the speaker, keep personal credit cards, etc., using magnetic coding away from the unit.
- When the casing becomes soiled, clean it with a soft cloth dampened with mild detergent solution. Never use abrasive cleansers or chemical solvents, as they may mar the casing.
- In vehicles or in buildings, radio reception may be difficult or noisy. Try listening near a window.

If you have any questions or problems concerning your unit, please consult your nearest Sony dealer.

Specifications

Frequency range:

Model for other countries

Band	ICF-303	ICF-303L
FM	87.5-108 MHz	87.5-108 MHz
AM	530-1605 kHz	—
LW	—	153-255 kHz

Model for Italy

Band	ICF-303
FM	87.5-108 MHz
AM	526.5-1606.5 kHz

Model for Central and Eastern Europe

Band	ICF-303
FM	65-108 MHz
AM	530-1605 kHz

Speaker

Approx. 6.6 cm (3 inches) dia., 8 Ω

Output

Ⓞ (earphone) jack (minijack)

Power output

xxx mW (at 10 % harmonic distortion)

Power requirements

3V DC, two R6 (size AA) batteries

3V DC, two LR6 (size AA) batteries

Dimensions

Approx. 156.9 × 82.5 × 41.1 mm (w/h/d) (6 1/4 × 3 1/4 × 1 5/8 inches) incl. projecting parts and controls

Mass

Approx. xxx g (xx oz) incl. batteries

Design and specifications are subject to change without notice.

XXXX

Before You Begin

Thank you for choosing the Sony FM/AM or FM/LW 2 Band Radio! This unit will give you many hours of reliable service and listening pleasure. Before operating the unit, please read these instructions thoroughly and retain them for future reference.

The instructions here are for models ICF-303 and ICF-303L. Their difference is shown below:

Model Number	ICF-303	ICF-303L
Band	FM/AM	FM/LW

Features

- Compact radio
- TUNE indicator for easy tuning

Installing the Batteries (See fig. A)

- 1 Open the battery compartment lid.
- 2 Insert two R6 (size AA) batteries (not supplied) with correct polarity.
- 3 Close the lid.

Battery life

Using Sony batteries R6 (size AA) :

Approx. XX hours

Using Sony alkaline batteries LR6 (size AA):

Approx. XX hours

Replacing batteries

When the sound becomes weak or distorted, replace all batteries with new ones.

Notes on batteries

- Insert the batteries with correct polarity.
- Do not charge the dry batteries.
- Do not use different types of batteries at the same time.
- When you replace the batteries, replace all with new ones.
- When the unit is not being used for a long period of time, remove the batteries to avoid damage from battery leakage and corrosion.
- If a battery leakage occurs, wipe the battery compartment with a soft cloth before inserting new ones.

Operating the Radio

- 1 Turn up POWER/VOL to turn power on and adjust the volume.
- 2 Select a desired band.
- 3 Tune in to a station using TUNING. The TUNE indicator lights up when a station is tuned in.

To turn off the radio

Turn down POWER/VOL completely until a click is heard.

To listen with an earphone

Connect the earphone to the Ⓞ (earphone) jack. The speaker is deactivated when an earphone is connected.

To improve reception (See fig. B)

FM: Extend the telescopic antenna and adjust the angle for optimum reception.

AM/LW: Rotate the unit horizontally for optimum reception. A ferrite bar antenna is built into the unit.

To use the stand (See fig. C)

- To use the stand as support for the unit, unfold the stand half-way.
- The stand can also be used as a handle to carry the unit. For this purpose, unfold the stand completely.

Precautions

- Operate the unit only on 3 V DC with two R6 (size AA) batteries.
- Do not leave the unit in a location near heat sources, or in a place subject to direct sunlight, sand, excessive dust, or mechanical shock.
- Should any solid object or liquid fall into the unit, remove the batteries and have the unit checked by qualified personnel before operating it any further.
- Since a strong magnet is used for the speaker, keep personal credit cards, etc., using magnetic coding away from the unit.
- When the casing becomes soiled, clean it with a soft cloth dampened with mild detergent solution. Never use abrasive cleansers or chemical solvents, as they may mar the casing.
- In vehicles or in buildings, radio reception may be difficult or noisy. Try listening near a window.

If you have any questions or problems concerning your unit, please consult your nearest Sony dealer.

Specifications

Frequency range:

Model for other countries

Band	ICF-303	ICF-303L
FM	87.5-108 MHz	87.5-108 MHz
AM	530-1605 kHz	—
LW	—	153-255 kHz

Model for Italy

Band	ICF-303
FM	87.5-108 MHz
AM	526.5-1606.5 kHz

Model for Central and Eastern Europe

Band	ICF-303
FM	65-108 MHz
AM	530-1605 kHz

Speaker

Approx. 6.6 cm (3 inches) dia., 8 Ω

Output

Ⓞ (earphone) jack (minijack)

Power output

xxx mW (at 10 % harmonic distortion)

Power requirements

3V DC, two R6 (size AA) batteries

3V DC, two LR6 (size AA) batteries

Dimensions

Approx. 156.9 × 82.5 × 41.1 mm (w/h/d) (6 1/4 × 3 1/4 × 1 5/8 inches) incl. projecting parts and controls

Mass

Approx. xxx g (xx oz) incl. batteries

Design and specifications are subject to change without notice.