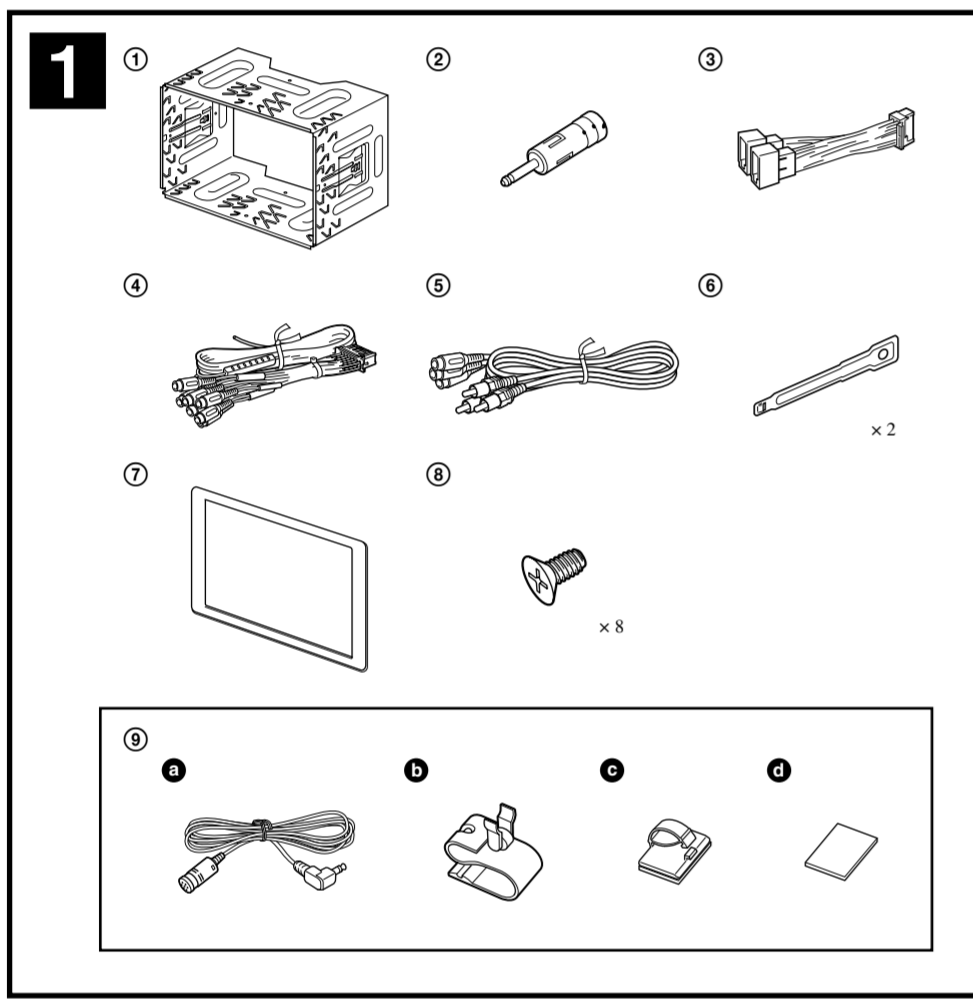


AV Center

Installation/Connexions Installation/Anschluss Montage/Aansluitingen XAV-70BT

©2010 Sony Corporation Printed in Thailand



Appareils utilisés dans les illustrations (non fournis)
In Abbildungen dargestellte Geräte (nicht mitgeliefert)
Apparatuur gebruikt in de afbeeldingen (niet bijgeleverd)

- Haut-parleur avant / Frontlautsprecher / Voorluidspreker
- Haut-parleur arrière / Hecklautsprecher / Achterluidspreker
- Amplificateur de puissance / Endverstärker / Eindversterker
- Caisson de graves actif / Aktiver Tieftöner / Actieve subwoofer
- Périphérique USB / USB-Gerät / Dispositif USB
- iPod
- Caméra de recul / Rückfahrkamera / Achteruitrijcamera
- Monitor / Monitor / Monitor

2 A

B

Loquet (Latching mechanism) and **Verriegelung** (Locking mechanism) are also indicated.

3

Remarques (Notes) and **Einzelheiten** (Details) provide instructions for microphone and antenna installation.

3.1

Remarques (Notes) and **Einzelheiten** (Details) provide instructions for microphone and antenna installation.

3.2

Remarques (Notes) and **Einzelheiten** (Details) provide instructions for microphone and antenna installation.

3.3

Remarques (Notes) and **Einzelheiten** (Details) provide instructions for microphone and antenna installation.

3.4

Remarques (Notes) and **Einzelheiten** (Details) provide instructions for microphone and antenna installation.

3.5

Remarques (Notes) and **Einzelheiten** (Details) provide instructions for microphone and antenna installation.

3.6

Remarques (Notes) and **Einzelheiten** (Details) provide instructions for microphone and antenna installation.

3.7

Remarques (Notes) and **Einzelheiten** (Details) provide instructions for microphone and antenna installation.

3.8

Remarques (Notes) and **Einzelheiten** (Details) provide instructions for microphone and antenna installation.

3.9

Remarques (Notes) and **Einzelheiten** (Details) provide instructions for microphone and antenna installation.

3.10

Remarques (Notes) and **Einzelheiten** (Details) provide instructions for microphone and antenna installation.

3.11

Remarques (Notes) and **Einzelheiten** (Details) provide instructions for microphone and antenna installation.

3.12

Remarques (Notes) and **Einzelheiten** (Details) provide instructions for microphone and antenna installation.

3.13

Remarques (Notes) and **Einzelheiten** (Details) provide instructions for microphone and antenna installation.

3.14

Remarques (Notes) and **Einzelheiten** (Details) provide instructions for microphone and antenna installation.

3.15

Remarques (Notes) and **Einzelheiten** (Details) provide instructions for microphone and antenna installation.

3.16

Remarques (Notes) and **Einzelheiten** (Details) provide instructions for microphone and antenna installation.

3.17

Remarques (Notes) and **Einzelheiten** (Details) provide instructions for microphone and antenna installation.

3.18

Remarques (Notes) and **Einzelheiten** (Details) provide instructions for microphone and antenna installation.

3.19

Remarques (Notes) and **Einzelheiten** (Details) provide instructions for microphone and antenna installation.

3.20

Remarques (Notes) and **Einzelheiten** (Details) provide instructions for microphone and antenna installation.

3.21

Remarques (Notes) and **Einzelheiten** (Details) provide instructions for microphone and antenna installation.

3.22

Remarques (Notes) and **Einzelheiten** (Details) provide instructions for microphone and antenna installation.

3.23

Remarques (Notes) and **Einzelheiten** (Details) provide instructions for microphone and antenna installation.

3.24

Remarques (Notes) and **Einzelheiten** (Details) provide instructions for microphone and antenna installation.

3.25

Remarques (Notes) and **Einzelheiten** (Details) provide instructions for microphone and antenna installation.

3.26

Remarques (Notes) and **Einzelheiten** (Details) provide instructions for microphone and antenna installation.

3.27

Remarques (Notes) and **Einzelheiten** (Details) provide instructions for microphone and antenna installation.

3.28

Remarques (Notes) and **Einzelheiten** (Details) provide instructions for microphone and antenna installation.

3.29

Remarques (Notes) and **Einzelheiten** (Details) provide instructions for microphone and antenna installation.

3.30

Remarques (Notes) and **Einzelheiten** (Details) provide instructions for microphone and antenna installation.

3.31

Remarques (Notes) and **Einzelheiten** (Details) provide instructions for microphone and antenna installation.

3.32

Remarques (Notes) and **Einzelheiten** (Details) provide instructions for microphone and antenna installation.

3.33

Remarques (Notes) and **Einzelheiten** (Details) provide instructions for microphone and antenna installation.

3.34

Remarques (Notes) and **Einzelheiten** (Details) provide instructions for microphone and antenna installation.

3.35

Remarques (Notes) and **Einzelheiten** (Details) provide instructions for microphone and antenna installation.

3.36

Remarques (Notes) and **Einzelheiten** (Details) provide instructions for microphone and antenna installation.

3.37

Remarques (Notes) and **Einzelheiten** (Details) provide instructions for microphone and antenna installation.

3.38

Remarques (Notes) and **Einzelheiten** (Details) provide instructions for microphone and antenna installation.

3.39

Remarques (Notes) and **Einzelheiten** (Details) provide instructions for microphone and antenna installation.

3.40

Remarques (Notes) and **Einzelheiten** (Details) provide instructions for microphone and antenna installation.

3.41

Remarques (Notes) and **Einzelheiten** (Details) provide instructions for microphone and antenna installation.

3.42

Remarques (Notes) and **Einzelheiten** (Details) provide instructions for microphone and antenna installation.

3.43

Remarques (Notes) and **Einzelheiten** (Details) provide instructions for microphone and antenna installation.

3.44

Remarques (Notes) and **Einzelheiten** (Details) provide instructions for microphone and antenna installation.

3.45

Remarques (Notes) and **Einzelheiten** (Details) provide instructions for microphone and antenna installation.

3.46

Remarques (Notes) and **Einzelheiten** (Details) provide instructions for microphone and antenna installation.

3.47

Remarques (Notes) and **Einzelheiten** (Details) provide instructions for microphone and antenna installation.

3.48

Remarques (Notes) and **Einzelheiten** (Details) provide instructions for microphone and antenna installation.

3.49

Remarques (Notes) and **Einzelheiten** (Details) provide instructions for microphone and antenna installation.

3.50

Remarques (Notes) and **Einzelheiten** (Details) provide instructions for microphone and antenna installation.

Précautions

• Cet appareil est conçu pour fonctionner sur un courant continu de 12 V avec une masse négative uniquement.

Exemple de raccordement 2

Remarques (Notes) and **Einzelheiten** (Details) provide instructions for microphone and antenna installation.

Schémas de raccordement 3

Remarques (Notes) and **Einzelheiten** (Details) provide instructions for microphone and antenna installation.

Vorsichtsmaßnahmen

• Dieses Gerät ist ausschließlich für den Betrieb bei 12 V Gleichstrom (negative Erdung) bestimmt.

Anschlussbeispiel 2

Remarques (Notes) and **Einzelheiten** (Details) provide instructions for microphone and antenna installation.

Anschlussdiagramm 3

Remarques (Notes) and **Einzelheiten** (Details) provide instructions for microphone and antenna installation.

Let op

• Dit apparaat is ontworpen voor gebruik op een auto-accu van 12 V gelijkstroom, negatief geaard.

Voorbeeldaansluitingen 2

Remarques (Notes) and **Einzelheiten** (Details) provide instructions for microphone and antenna installation.

Aansluitschema 3

Remarques (Notes) and **Einzelheiten** (Details) provide instructions for microphone and antenna installation.

Waarschuwing

• Indien u een elektrische antenne hebt zonder relaiskast, kan het aansluiten van dit apparaat met de bijgeleverde voedingskabel (3) de antenne beschadigen.

Onderdelenlijst 1

• De nummers in de afbeelding verwijzen naar die in de instructies.

Teiliste 1

• Die Nummern in der Liste sind dieselben wie im Erläuterungstext.

